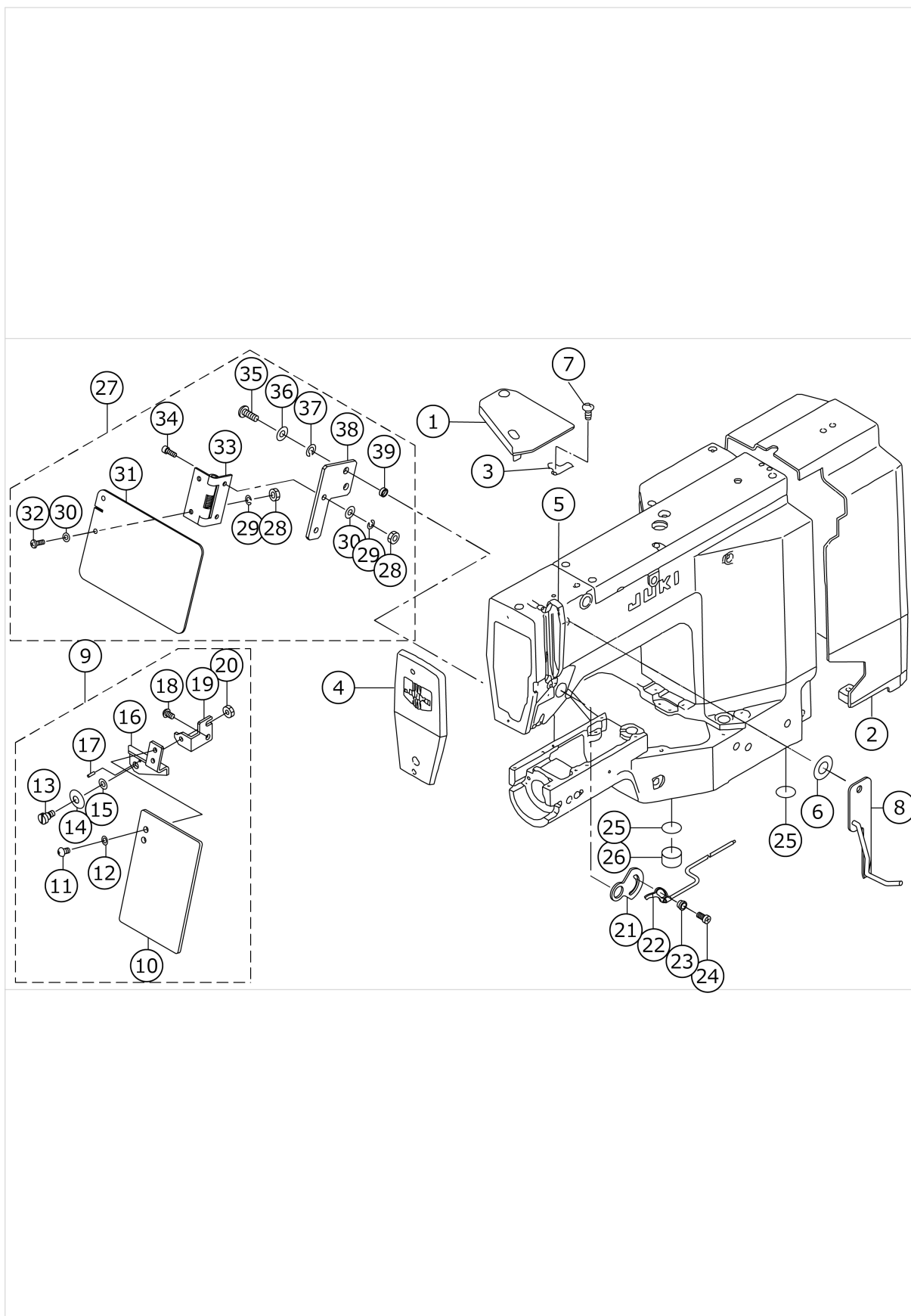


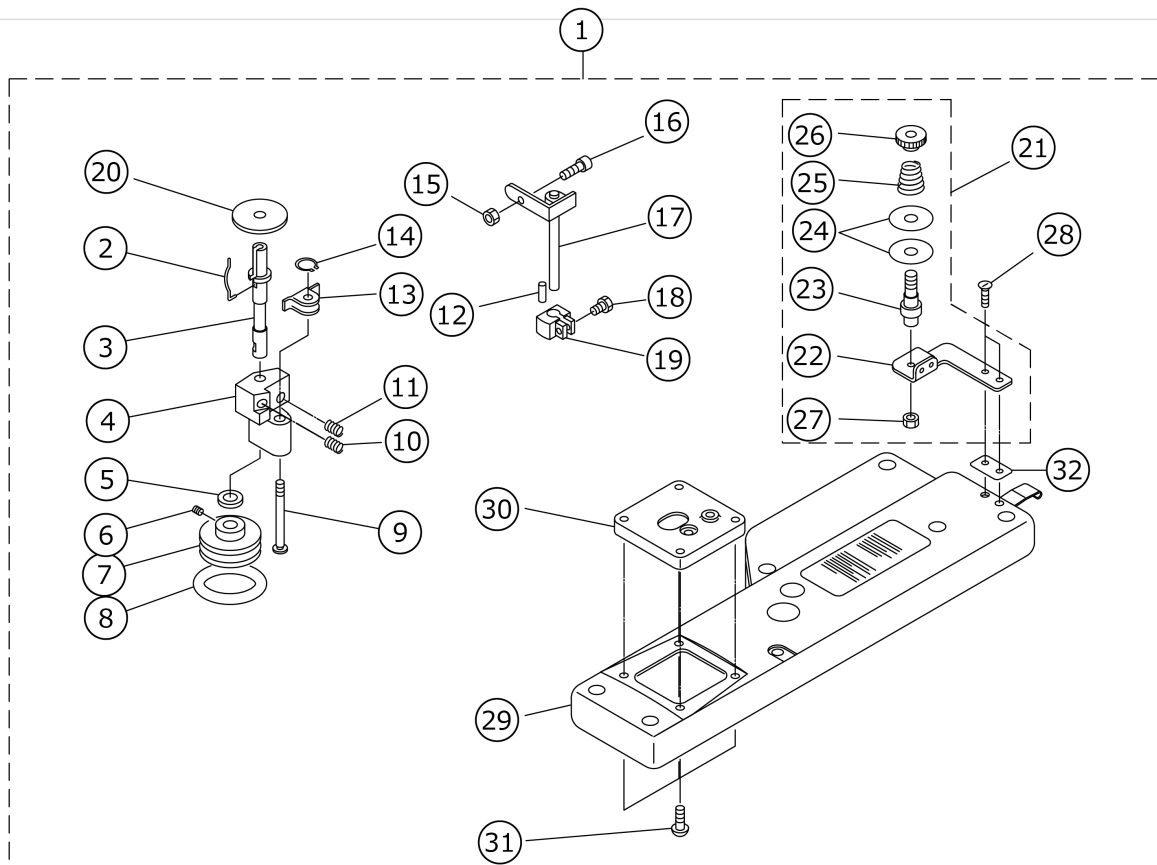
ACF-164-1851

FRAME & MICELLANEOUS COVER COMPONENTS (1)



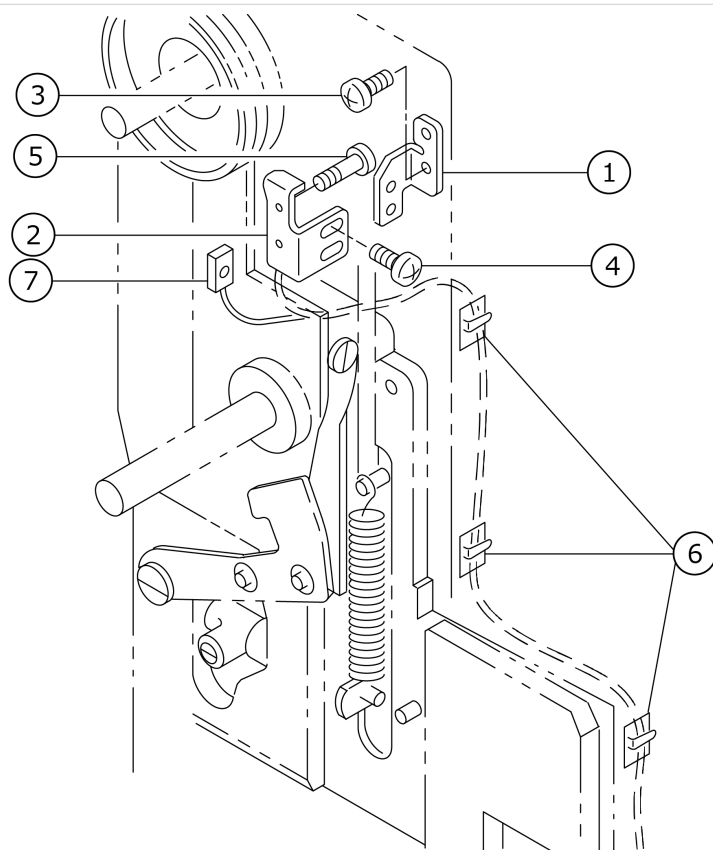
No.	品番	品名	備考	子部品	消耗品	個数
1	13805106	BED COVER B				1.00
2	13805205	BELT COVER				1.00
3	13805304	STOPPER				1.00
4	13816756	FACE COVER ASM.				1.00
5	13816608	BALANCE COVER				1.00
6	WP0612056SD	WASHER 6.1X18.5X2				1.00
7	SS7110910SP	SCREW 11/64-40 L=8.5				1.00
8	MAZ165360A0	THREAD GUIDE PLATE ASM.				1.00
9	MAZ167710A0	SAFETY PLATE ASM.	EXCEPT JE & JAPAN			1.00
10	B3120372000	SAFETY PLATE		*		1.00
11	SS4110715SP	SCREW 11/64-40 L=7		*		2.00
12	WP0450801SD	WASHER 4.5X10X0.8		*		2.00
13	SD0600401SD	HINGE SCREW D= 6 H= 4		*		1.00
14	B3125155000	DISK SPRING		*		1.00
15	WP0650876SD	WASHER 6.5X13X0.8		*		1.00
16	MAZ16772000	SAFETY PLATE BRACKET		*		1.00
17	PS0200062KH	SPRING PIN 2X6		*		1.00
18	SS4110715SP	SCREW 11/64-40 L=7		*		2.00
19	G5426162000	SAFETY PLATE BASE		*		1.00
20	NS6620310SP	NUT 3/16-32		*		1.00
21	B2702210000	GUIDE PLATE				1.00
22	MAZ167840A0	SENSOR SWITCH ASM.				1.00
23	B2703210000	BUSHING				1.00
24	SS7090850SP	SCREW 9/64-40 L=8				1.00
25	18210005	FRAME SPACER				4.00
26	18209106	FRAME BASE				2.00
27	MAZ167710B0	SAFETY PLATE ASM. (EC)	FOR JE & JAPAN			1.00
28	NM6030001SC	NUT M3		*		4.00
29	WS0310002KN	SPRING WASHER M3		*		4.00
30	WP0320501SC	WASHER M3		*		4.00
31	G5901172000	SAFETY PLATE		*		1.00
32	SM4030801SN	SCREW M3 L=8		*		2.00
33	G5903172000	SAFETY PLATE HINGE		*		1.00
34	SM6030802TP	SCREW M3X0.5 L=8		*		2.00
35	SS4111215TP	SCREW		*		2.00
36	WS0451040KP	SPRING WASHER 4.5X8.5X1		*		2.00
37	WP0450801SD	WASHER 4.5X10X0.8		*		2.00
38	MAZ16773000	SAFETY PLATE BRACKET		*		1.00
39	B3013141H0A	WASHER		*		2.00

# FRAME & MICELLANEOUS COVER COMPONENTS (2)



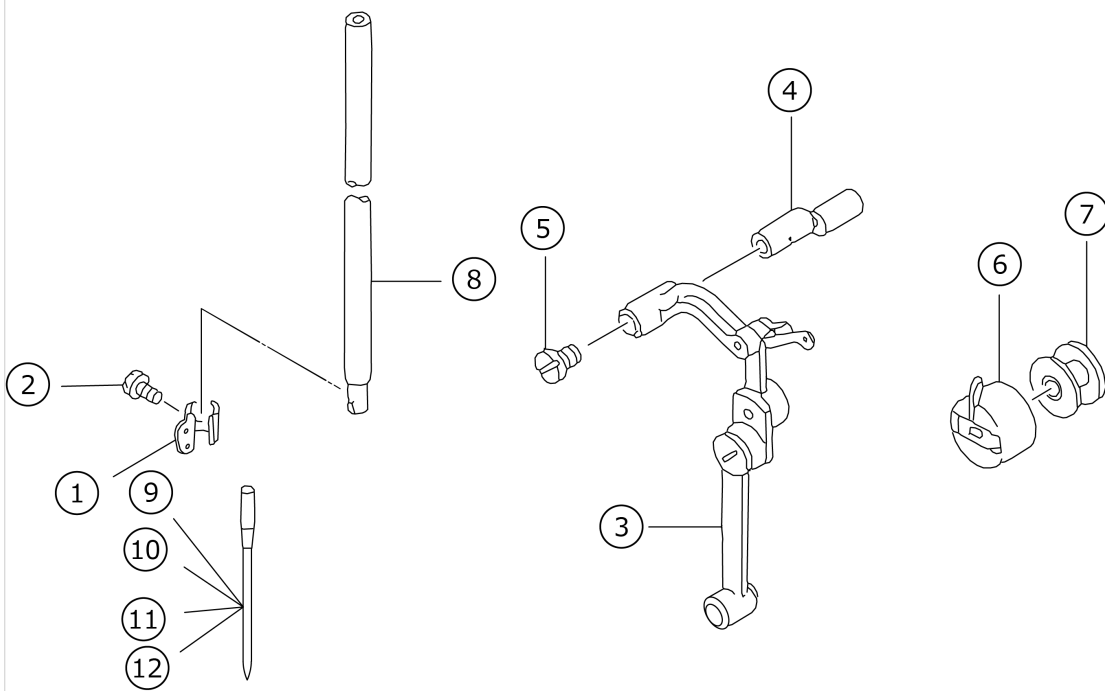
No.	品番	品名	備考	子部品	消耗品	個数
1	MAZ165230A0	ARM COVER ASM.				1.00
2	B3212761000	LATCH SPRING		*		1.00
3	B3204210000	SPINDLE		*		1.00
4	B3210210000	BOBBIN WINDER BASE		*		1.00
5	WP0651056SH	WASHER 6.5X11X1		*		1.00
6	SS8110520TP	SCREW 11/64-40 L= 4.5		*		2.00
7	B3211210000	BOBBIN WINDER WHEEL		*		1.00
8	B3212210000	FRICTION WHEEL		*		1.00
9	B3206210000	SCREW STUD		*		1.00
10	B3209210000	SPRING B		*		1.00
11	B3208210000	SPRING A		*		1.00
12	PS0150065KP	SPRING PIN 1.5X6		*		1.00
13	B3207210000	TRIP LATCH		*		1.00
14	D2430555B00	SNAP RING		*		1.00
15	NS6110530SP	NUT 11/64-40		*		1.00
16	B3208280000	BOBBIN WINDER ADJUSTING SCREW		*		1.00
17	B32012100A0	STOP LATCH ASM.		*		1.00
18	SS9111020TP	SCREW 11/64-40 L=10		*		1.00
19	B3203210000	CAM		*		1.00
20	B3205210000	CUSHION		*		1.00
21	MAZ165250A0	THREAD GUIDE BASE ASM.		*		1.00
22	MAZ16525000	BOBBIN WINDER TENSION BRACKET		*		1.00
23	B3219232000	BOBBIN WINDER TENSION POST		*		1.00
24	B3214047000	BOBBIN WINDER TENSION DISC		*		2.00
25	B3218232000	BOBBIN WINDER TENSION SPRING		*		1.00
26	B3216047000	BOBBIN WINDER TENSION NUT		*		1.00
27	NS6110310SP	NUT 11/64-40		*		1.00
28	SS4091015SP	SCREW 9/64-40 L=10		*		2.00
29	MAZ16523000	ARM COVER		*		1.00
30	MAZ16524000	BOBBIN WINDER BASE		*		1.00
31	SS7110710SP	SCREW 11/64-40 L=7		*		4.00
32	MAZ16538000	BRACKET SPACER		*		1.00

# FRAME & MICELLANEOUS COVER COMPONENTS (3)



No.	品番	品名	備考	子部品	消耗品	個数
1	MAZ16534000	SENSOR MOUNT BASE				1.00
2	MAZ16533000	SENSOR MOUNT PLATE				1.00
3	SS7110840SP	SCREW 11/64-40 L=7.8				1.00
4	SS7110510SP	SCREW 11/64-40 L=5				2.00
5	SM1030801SC	SCREW M3 L=8				1.00
6	HX003330000	CORD CLAMP				3.00
7	MAZ167810A0	SWITCH ASM.				1.00

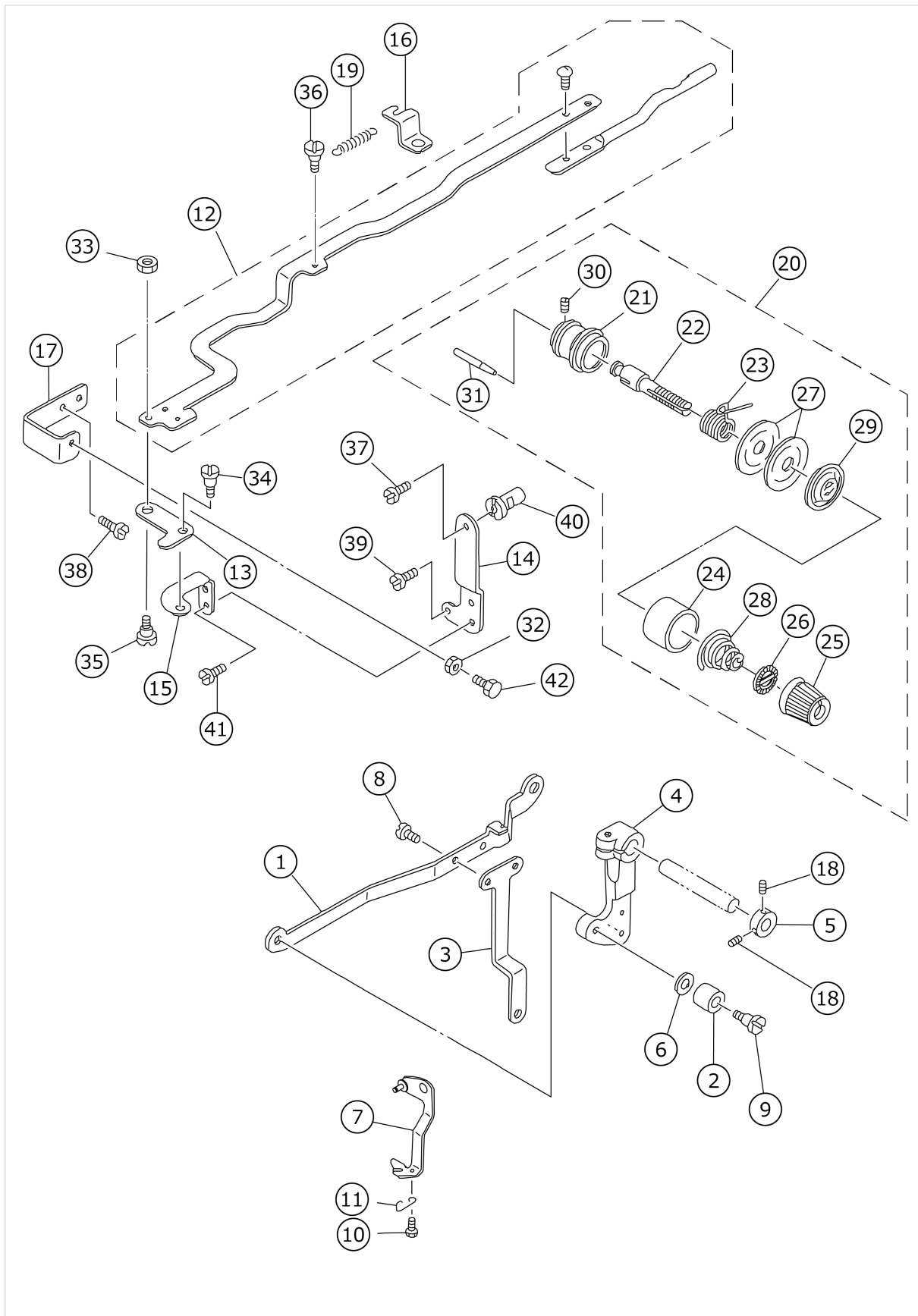
# NEEDLE BAR COMPONENTS



No.	品番	品名	備考	子部品	消耗品	個数
1	D1405M7WF00	NEEDLE BAR THREAD GUIDE				1.00
2	SS7080510TP	SCREW 1/8-44 L=4.5				1.00
3	D1901L7VVB0	THREAD TAKE-UP LEVER ASM.				1.00
4	D1904L7VV00	LINK TAKE-UP LEVER PIN, HEAVY				1.00
5	D1906L7VV00	SET SCREW				1.00
6	13812102	BOBBIN				1.00
7	B18289800BB	BOBBIN CASE ASM. (RACING PREVE				1.00
8	D1401L7VV00	NEEDLE BAR				1.00
9	MDP170B1400	NEEDLE DPX17 #14				1.00
10	MDP170B1600	NEEDLE DPX17 #16	SELECTIVE PARTS			1.00
11	MC372000900	NEEDLE 135X17 #90	SELECTIVE PARTS			1.00
12	MC372001000	NEEDLE SY3355 100	SELECTIVE PARTS			1.00

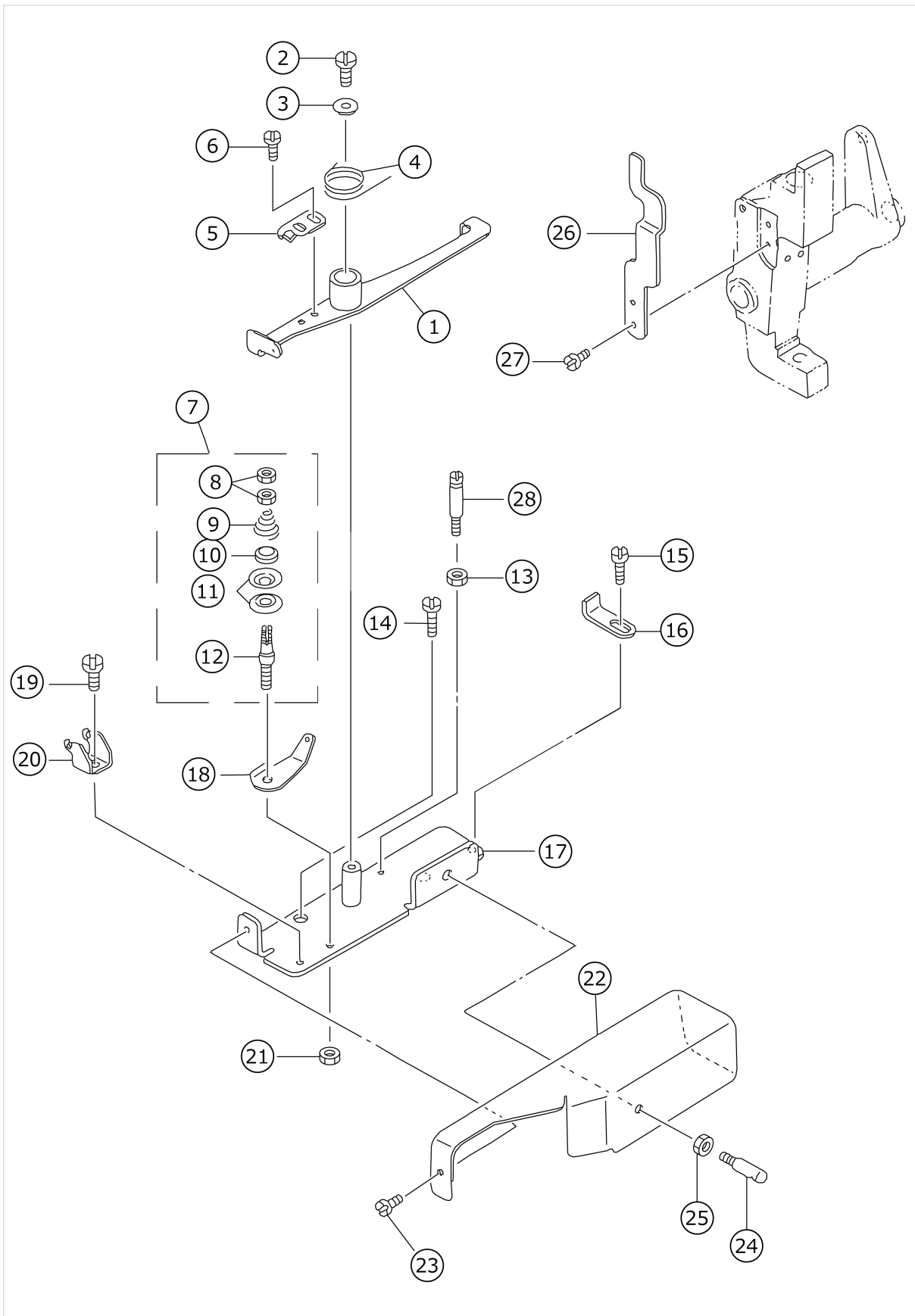


# THREAD TENSION RELEASE COMPONENTS



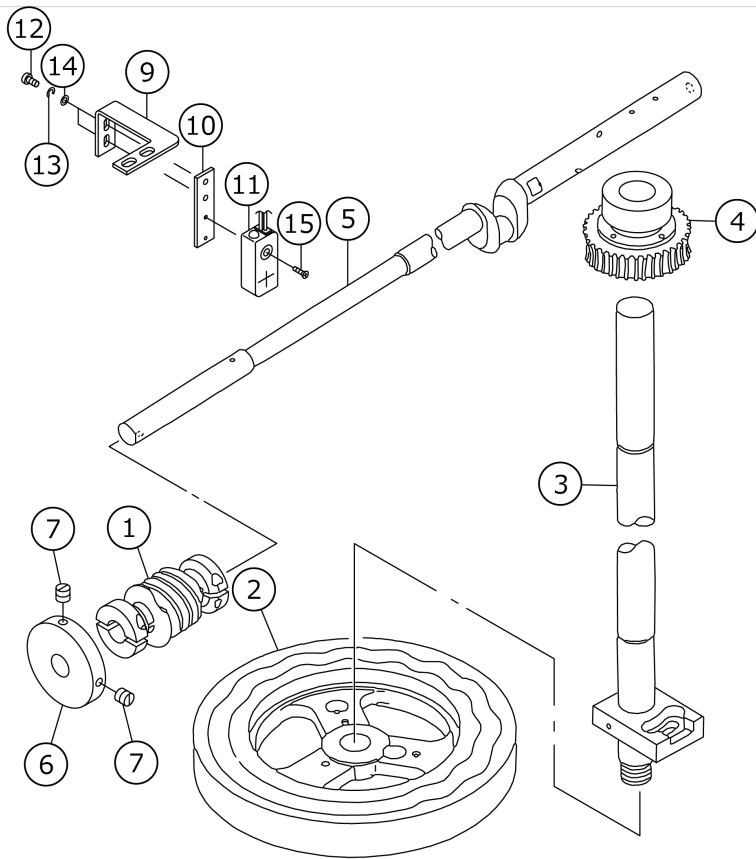
No.	品番	品名	備考	子部品	消耗品	個数
1	13805601	CONNECTING SHAFT				1.00
2	13805700	CAM ROLL				1.00
3	13805809	MOVING PLATE				1.00
4	13541305	CONNECTING ARM				1.00
5	CS1001011SH	THRUST COLLAR				1.00
6	WP0621026SP	WASHER 6.2X9.5X1				1.00
7	MAZ165390A0	WIPER ASM.				1.00
8	SS7110510SP	SCREW 11/64-40 L=5				2.00
9	SD0791271SP	HINGE SCREW D= 7.94 H=12.7				1.00
10	13806005	SPRING				1.00
11	SS5060310SP	SCREW 3/32-56 L=2.8				1.00
12	13807052	CONNECTING SHAFT ASM.				1.00
13	13807102	MOVING LINK				1.00
14	13807201	MOUNTING PLATE				1.00
15	13807300	MOUNTING BASE				1.00
16	13807409	SPRING HOOK				1.00
17	13807508	MOVING PLATE				1.00
18	SS8660610TP	SCREW 1/4-40 L=6				2.00
19	10519205	SPRING				1.00
20	MAZ167310A0	THREAD TENSION NO.2 COMPL.				1.00
21	B2313280000	THREAD TENSION ROD, LARGE		*		1.00
22	B2303220000	TENSION RELEASE ARM BOSS		*		1.00
23	B3112761000	THREAD TAKE-UP SPRING		*		1.00
24	B3107804000	THREAD TENSION DISK PRESSER		*		1.00
25	13817408	THREAD TENSION NUT		*		1.00
26	B3120125000	ROTATING STOPPER		*		1.00
27	B3126012000	THREAD TENSION DISK		*		2.00
28	B3114232000	THREAD TENSION SPRING		*		1.00
29	B3132552000	THREAD TENSION DISK PRESSER		*		1.00
30	SS8090610SP	SCREW 9/64-40 L=5.9		*		1.00
31	G2303270000	THREAD RELEASE PIN		*		1.00
32	NS6110350SP	NUT 11/64-40				1.00
33	NS6110430SP	NUT 11/64-40				1.00
34	SD0640321SP	HINGE SCREW D= 6.35 H= 3.2				1.00
35	SD0640326TP	HINGE SCREW				1.00
36	SD0640602SP	HINGE SCREW D= 6.35 H= 6.0				1.00
37	SS4120915SP	SCREW 3/16-28 L=9				1.00
38	SS4120915SP	SCREW 3/16-28 L=9				2.00
39	SS6121050SP	SCREW 3/16-28 L= 9.5				1.00
40	13807904	THREAD TRIMMER ARM SHAFT				1.00
41	SS7110410SP	SCREW 11/64-40 L=4				2.00
42	SS9111013SP	SCREW 11/64-40 L=9.5				1.00

# THREAD TENSION COMPONENTS



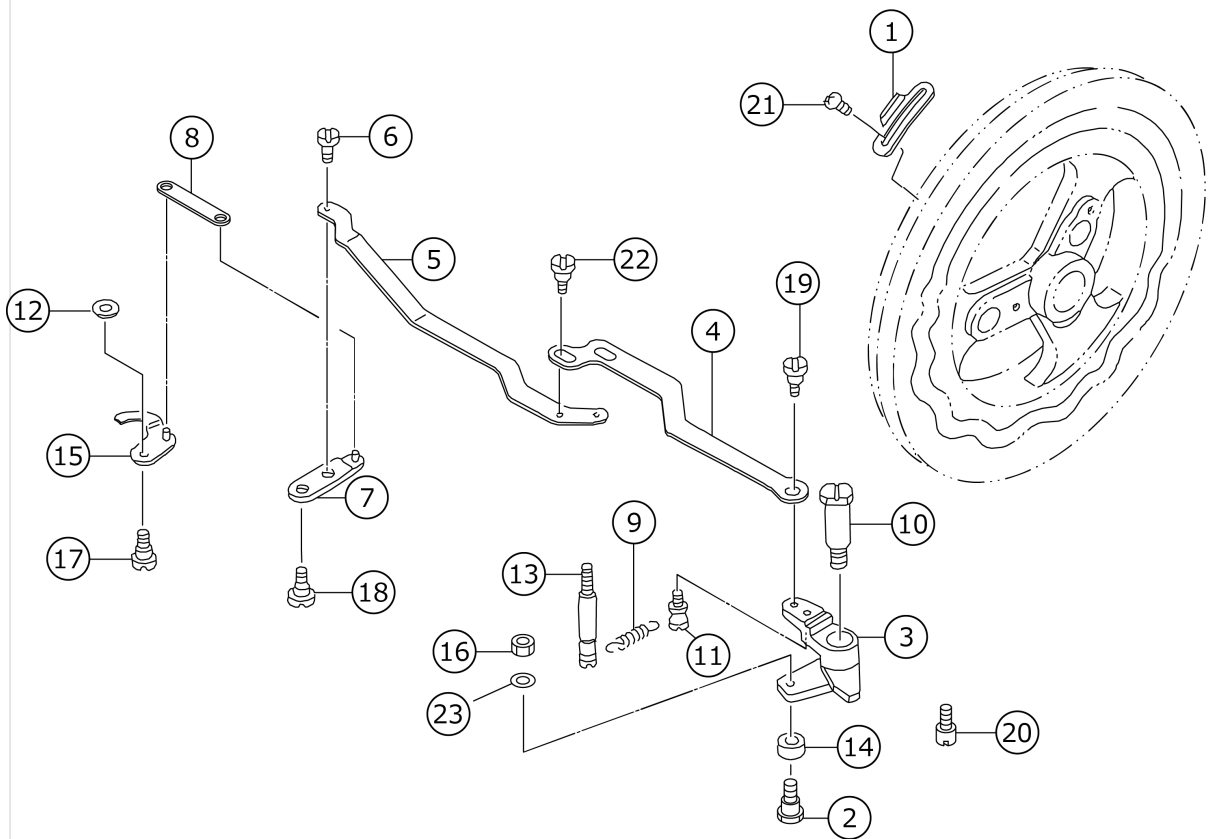
No.	品番	品名	備考	子部品	消耗品	個数
1	13808159	THREAD TENSION LEVER ASM.				1.00
2	SS7110840SP	SCREW 11/64-40 L=7.8				1.00
3	WP0551626SD	WASHER 5.5X22.0X1.6				1.00
4	13809009	SPRING				1.00
5	SS7110510SP	SCREW 11/64-40 L=5				1.00
6	13809157	THREAD TENSION ASM.				2.00
7	B3218232000	BOBBIN WINDER TENSION SPRING				1.00
8	NS6110310SP	NUT 11/64-40		*		2.00
9	B3218232000	BOBBIN WINDER TENSION SPRING		*		1.00
10	B3214047000	BOBBIN WINDER TENSION DISC		*		2.00
11	B2351180000	STUD		*		1.00
12	13737507	SUSPENSION SCREW B		*		1.00
13	NS6120310SP	NUT 3/16-28				1.00
14	SS7150740SP	SCREW 15/64-28 L=7				2.00
15	SS6110610TP	SCREW 11/64-40 L=6				1.00
16	13808506	THREAD TENSION STOPPER				1.00
17	13808852	THREAD TENSION BASE ASM.				1.00
18	D3162555B00	THREAD GUIDE				1.00
19	SS6110610TP	SCREW 11/64-40 L=6				1.00
20	13808407	THREAD TENSION GUIDE				1.00
21	NS6110350SP	NUT 11/64-40				1.00
22	13808902	THREAD TENSION COVER				1.00
23	SS6110610TP	SCREW 11/64-40 L=6				1.00
24	B1123280000	FIRST THREAD GUIDE				1.00
25	NS6150310SP	NUT 15/64-28				1.00
26	13808308	THREAD TENSION ARM				1.00
27	SS6120620TP	SCREW				2.00
28	13737507	SUSPENSION SCREW B				1.00

# MAIN SHAFT & SHUTTLE DRIVER SHAFT COMPONENTS



No.	品番	品名	備考	子部品	消耗品	個数
1	13806203	WORM 18 STITCHES				1.00
2	13806302	FEED CAM 18 STITCHES				1.00
3	13806450	CAM SHAFT ASM.				1.00
4	13806559	WORM WHEEL 18 STITCHES				1.00
5	13806104	MAIN SHAFT				1.00
6	B3213210000	BOBBIN WINDER DRIVING WHEEL				1.00
7	SS8111610SP	SCREW 11/64-40 L=15.5				2.00
8	B12629800A0	THRUST COLLAR ASM.				1.00
9	MAZ16742000	ADJUSTING PLATE				1.00
10	MAZ16743000	BRACKET				1.00
11	MAZ089830A0	UPPER POSITION SENSOR SW ASM.				1.00
12	SM6030802TP	SCREW M3X0.5 L=8				2.00
13	WS0310002KN	SPRING WASHER M3				2.00
14	WP0320501SC	WASHER M3				2.00
15	SM1020801SD	SCREW				1.00

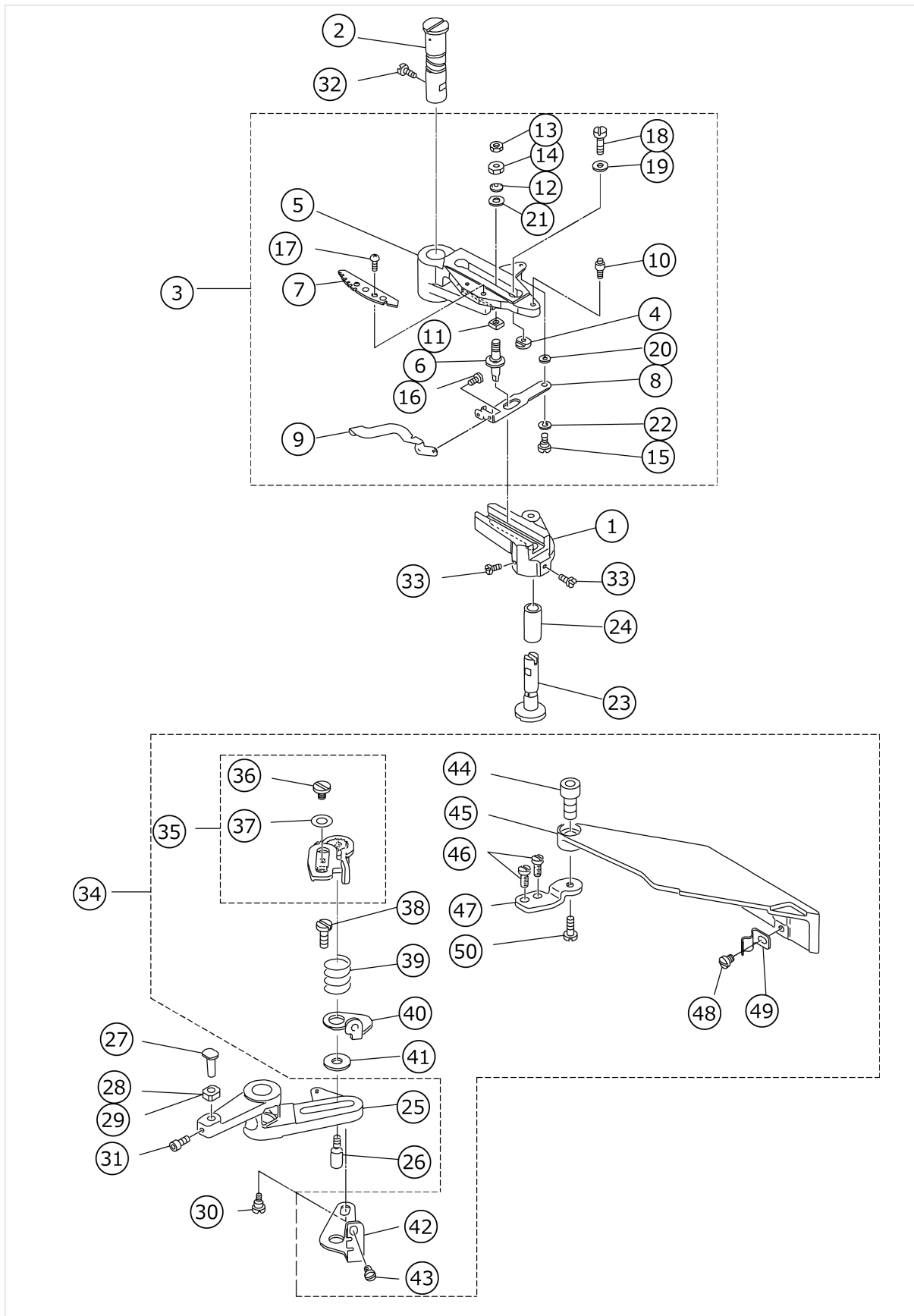
# KNOTTING COMPONENTS



No.	品番	品名	備考	子部品	消耗品	個数
1	13812508	NOTCH 18 STITCHES				1.00
2	13812607	BEARING				1.00
3	13812706	MOVING ARM				1.00
4	13812805	CONNECTING SHAFT				1.00
5	13812904	CONNECTING PLATE				1.00
6	13813001	CONNECTING PLATE BOSS				1.00
7	13813159	KNOT THE THREAD LEVER ASM.				1.00
8	13813209	KNOT THE THREAD LINK				1.00
9	13813308	SPRING				1.00
10	13813407	MOVING SHAFT				1.00
11	B1110280000	THREAD CUTTING LINK SPRING RAC				1.00
12	B242328000D	MOVING KNIFE WASHER D				1.00
13	B3518352000	OIL DRAIN SCREW				1.00
14	D2427555B00B	CAM ROLLER				1.00
15	D2713M1YCA0	KNOT TYING PLATE ASM.				1.00
16	NS6090310SP	NUT 9/64-40				1.00
17	SD0500091TP	HINGE SCREW D= 5.0 H= 0.9				1.00
18	SD0550271TP	HINGE SCREW D= 5.50 H= 2.7				1.00
19	SD0600322SD	HINGE SCREW D=6 H=3.2				1.00
20	13813506	STOPPER				1.00
21	SS6090520SP	SCREW 9/64-40 L= 5.0				2.00
22	SS9110543CP	SCREW 11/64-40 L=5.3				2.00
23	WP0450000SD	WASHER 4.5X8X0.5				1.00



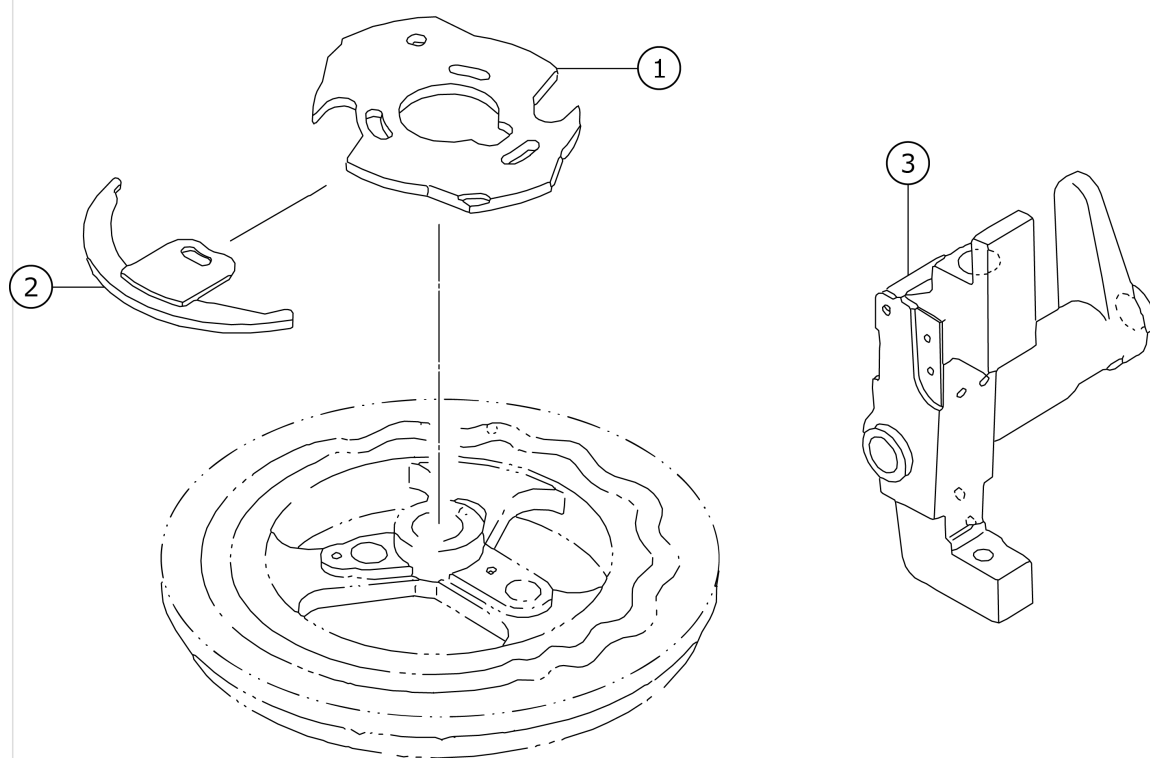
# FEED MECHANISM COMPONENTS



No.	品番	品名	備考	子部品	消耗品	個数
1	13809306	LENGTHWISE FEED ARM				1.00
2	13809405	LENGTHWISE FEED SHAFT				1.00
3	13809553	LENGTHWISE FEED LEVER ASM.				1.00
4	13809207	LENGTHWISE STOPPER		*		1.00
5	13809504	LENGTHWISE FEED LEVER		*		1.00
6	13809801	LENGTHWISE FEED REGULATOR STUD		*		1.00
7	13809900	ADJUSTING GRADUATE PLATE		*		1.00
8	13810007	LENGTHWISE ADJUSTING LEVER A		*		1.00
9	13810106	LENGTHWISE ADJUSTING LEVER B		*		1.00
10	13517404	HINGE STUD		*		1.00
11	B1663804000	SLIDE BLOCK		*		1.00
12	B3125155000	DISK SPRING		*		1.00
13	NS6150350SP	NUT 15/64-28		*		1.00
14	NS6150440SP	NUT 15/64-28		*		1.00
15	SD0640241SP	HINGE SCREW D= 6.35 H= 2.4		*		1.00
16	SS4090415SP	SCREW 9/64-40 L=4		*		2.00
17	SS4110515SP	SCREW 11/64-40 L=5		*		2.00
18	SS6111140SP	SCREW 11/64-40 L=11		*		1.00
19	WP0482086SD	WASHER 4.8X11.5X2		*		1.00
20	WP0501016SD	WASHER 5X10.5X1		*		1.00
21	WP0702026SP	WASHER 7X15X2		*		1.00
22	WZ0641510KP	WAVED WASHER 6.4X11X0.3		*		1.00
23	13809603	LENGTHWISE FEED LEVER SHAFT				1.00
24	13809702	LENGTHWISE FEED BUSH				1.00
25	13810205	CROSSWISE FEED ARM				1.00
26	13516505	FEED REGULATOR STUD				1.00
27	13517206	SLIDE BLOCK STUD				1.00
28	B141423200A	CRANK SLIDE BLOCK	SELECTIVE PART			1.00
29	B1414232000	SQUARE BLOCK				1.00
30	SD0530221SP	HINGE SCREW D= 5.3 H= 2.2				1.00
31	SS6151142TP	SCREW 15/64-28 L=10.5				1.00
32	SS6151220SP	SCREW 15/64-28 L=11.5				1.00
33	SS9661230CP	SCREW 1/4-40 L=12				2.00
34	MAZ165300A0	FEED ACROSS ADJUSTMENT ASM.				1.00
35	GAF010020B0	FIXED LEVER PLATE ASM.		*		1.00
36	SD0640321SP	HINGE SCREW D= 6.35 H= 3.2		*		1.00
37	WP0651056SH	WASHER 6.5X11X1		*		1.00
38	SS6151220SP	SCREW 15/64-28 L=11.5		*		1.00
39	GAF01007000	SPRING		*		1.00
40	GAF01009000	PLATE		*		1.00
41	WP0611626SP	WASHER 15X6X1.6		*		1.00
42	MAZ16530000	LEVER		*		1.00
43	SS7110410SP	SCREW 11/64-40 L=4		*		1.00
44	MAZ16531000	BED COVER A PICK-UP		*		1.00
45	MAZ16535000	BED COVER A		*		1.00
46	SS7110910TP	SCREW 11/64-40 L= 8.5		*		2.00
47	GAF01012000	BED COVER INSTALLING PLATE		*		1.00
48	SS7110410SP	SCREW 11/64-40 L=4		*		1.00
49	MAZ16532000	SPRING FOR BED COVER (A)		*		1.00
50	SS7111410TP	SCREW 11/64-40 L=14		*		1.00

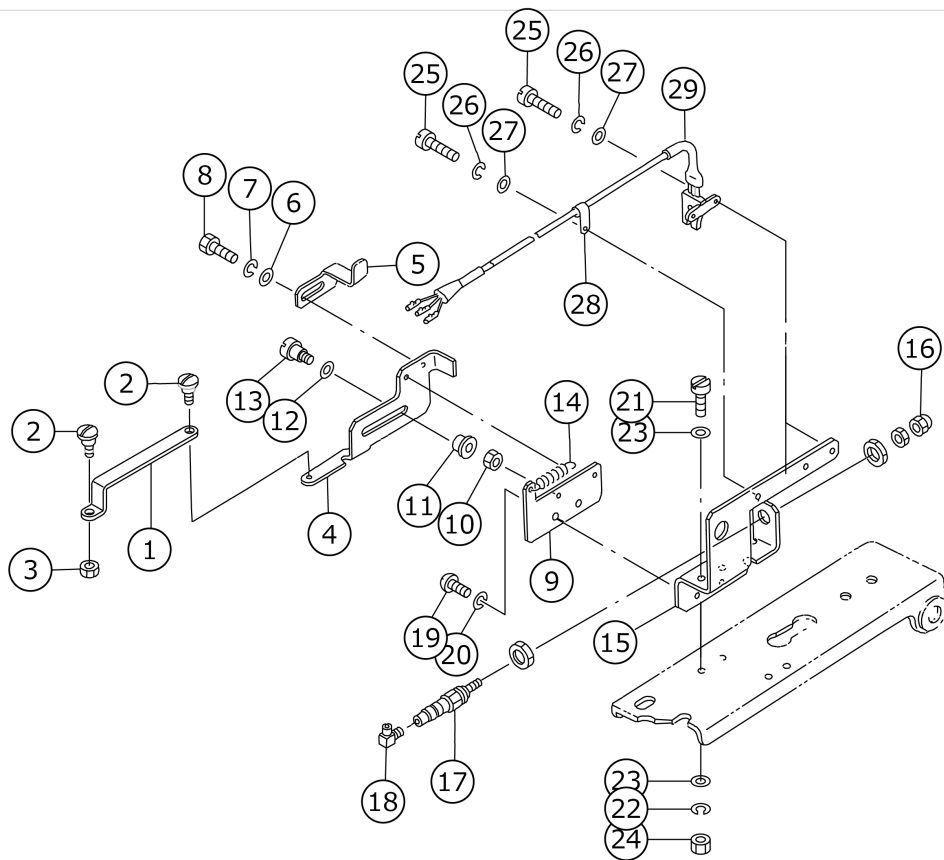


# STOP-MOTION MECHANISM COMPONENTS



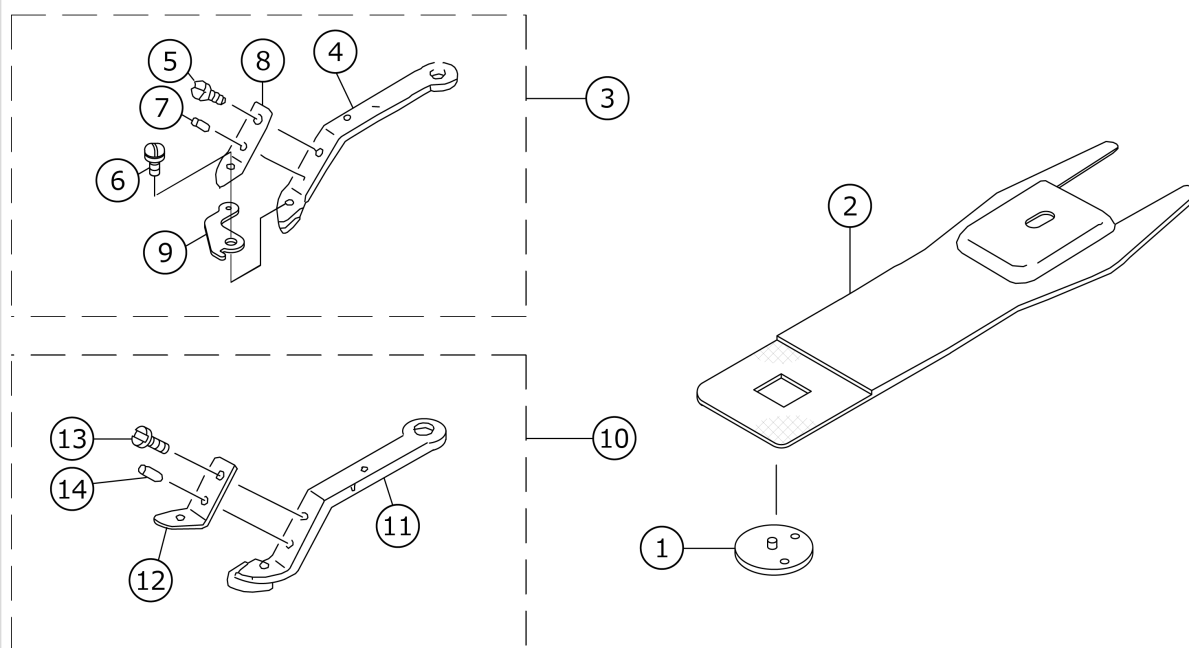
No.	品番	品名	備考	子部品	消耗品	個数
1	13813704	STOP MOTION CONTROL CAM				1.00
2	13813803	STOP MOTION FEED CAM				1.00
3	13813605	STOP MOTION FRAME				1.00

# BUTTON SENSOR COMPONENTS



No.	品番	品名	備考	子部品	消耗品	個数
1	MAZ08920000A	LINK SHAFT				1.00
2	MAZ08921000	LINK SCREW, B				2.00
3	NM6860003SC	NUT M2.6				1.00
4	MAZ08919000	SLIDER LINK				1.00
5	MAZ16722000	PLATE				1.00
6	WP0320501SC	WASHER M3				1.00
7	WS0310002KN	SPRING WASHER M3				1.00
8	SM6030602TP	SCREW M3X0.5 L=6				1.00
9	MAZ16726000	PLATE				1.00
10	NS6080210SP	NUT 1/8-44				2.00
11	MAZ16723000	BEARING				2.00
12	WP0451026SH	WASHER				2.00
13	SD0450403TP	HINGE SCREW				2.00
14	D3149141E00	SPRING				1.00
15	MAZ16718000	PLATE				1.00
16	NM7030510SA	NUT M3				1.00
17	PA0601004A0	AIR CYLINDER				1.00
18	PJ046052503	HOSE ELBOW				1.00
19	SS4080610SP	SCREW 1/8-44 L=6.4				2.00
20	WS0310002KN	SPRING WASHER M3				2.00
21	SS6111620SP	SCREW 11/64-40 L=16.0				2.00
22	WS0451040KP	SPRING WASHER 4.5X8.5X1				2.00
23	WP0451026SD	WASHER				4.00
24	NS6110420SP	NUT 11/64-40				2.00
25	SS6080810SP	SCREW 1/8-44 L= 8.0				3.00
26	WS0310002KN	SPRING WASHER M3				3.00
27	WP0320501SC	WASHER M3				3.00
28	HX00150000A	CABLE CLAMP				1.00
29	MAZ167820A0	SENSOR SWITCH ASM.				1.00

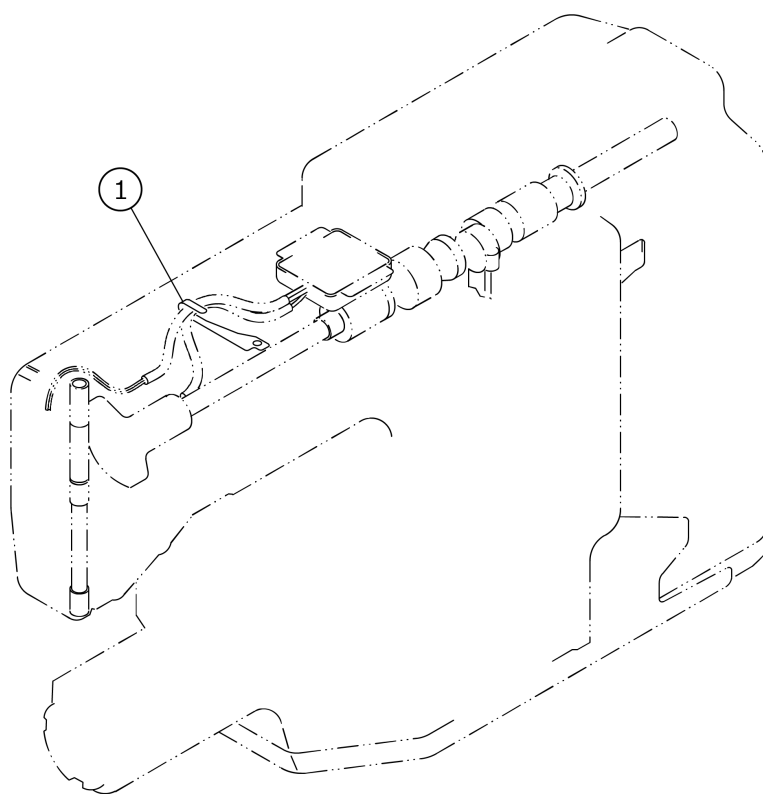
# BUTTON CLAMP COMPONENTS (Z168 ATTACHMENT FOR MEDIUM-SIZED BU TTONS)





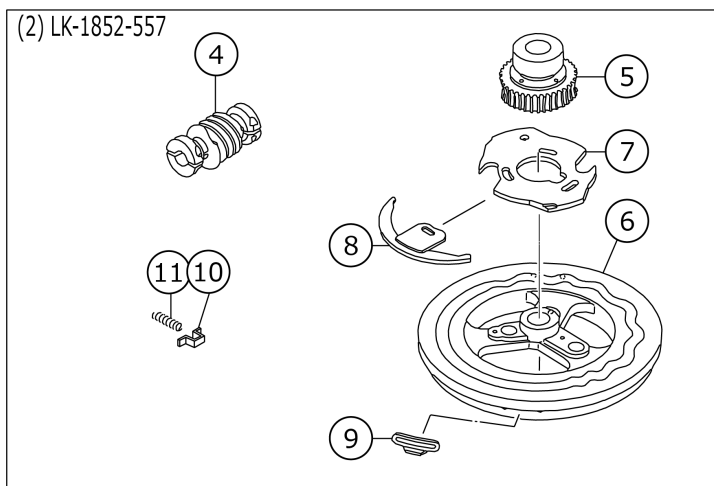
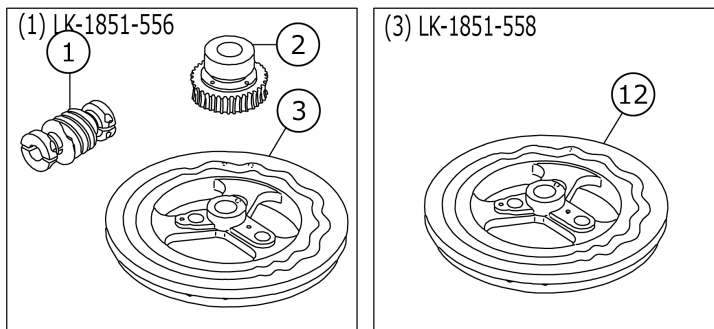
No.	品番	品名	備考	子部品	消耗品	個数
1	MAZ15601000	GUIDE				1.00
2	MAZ15602000	PRESSURE PLATE				1.00
3	MAZ168140A0	M BUTTON CLAMP JAW LEVER ASM.L				1.00
4	MAZ16814000	M BUTTON CLAMP JAW LEVER, LEFT		*		1.00
5	SS7090410SP	SCREW 9/64-40 L= 3.5		*		1.00
6	MAZ08916000	LINK SCREW A		*		1.00
7	B2559372000	BUTTON CLAMP LOCATING PIN		*		1.00
8	MAZ08917000	BUTTON HOLDING SPRING,LEFT		*		1.00
9	MAZ08915000A	SENSOR LEVER		*		1.00
10	MAZ166070B0	M BUTTON CLAMP JAW LEVER ASM.R				1.00
11	MAZ166070A0	M BUTTON CLAMP JAW LEVER ASM.R		*		1.00
12	MAZ15509000	SPRING, RIGHT		*		1.00
13	SS7090410SP	SCREW 9/64-40 L= 3.5		*		1.00
14	B2559372000	BUTTON CLAMP LOCATING PIN		*		1.00

# LUBRICATION MECHANISM COMPONENTS



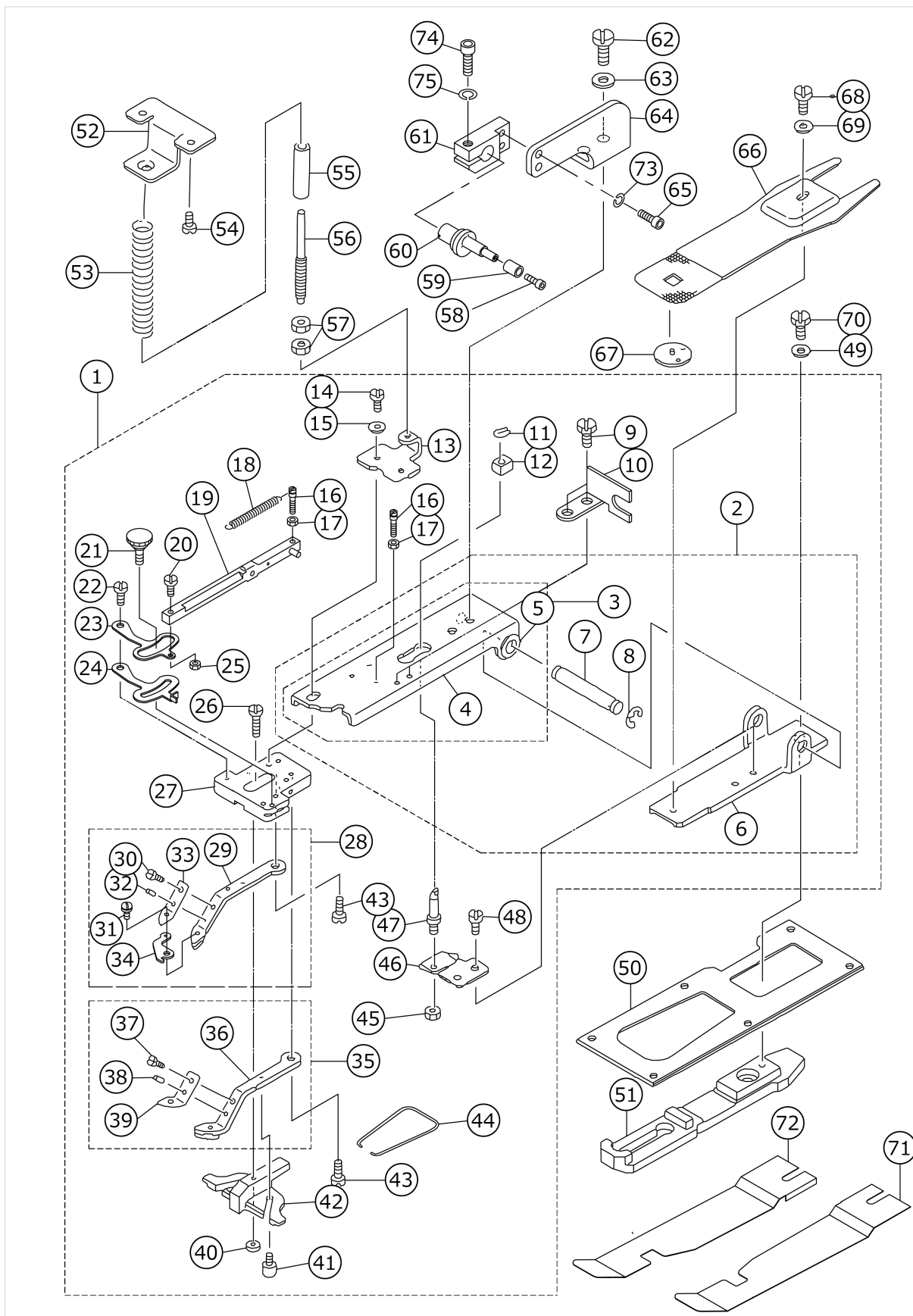
No.	品番	品名	備考	子部品	消耗品	個数
1	MAZ16526000	CLAMP				1.00

# LK-1851 SERIES SUBCLASSES



No.	品番	品名	備考	子部品	消耗品	個数
1	13815105	WORM WHEEL 16 STITCHES				1.00
2	13815451	WORM WHEEL ASM. 16 STITCHES				1.00
3	13814207	FEED CAM 16 STITCHES				1.00
4	13815204	WORM WHEEL 22 STITCHES				1.00
5	13815550	WORM WHEEL ASM. 22 STITCHES				1.00
6	13814306	FEED CAM 22 STITCHES				1.00
7	13814702	STOP MOTION FEED CAM				1.00
8	13814900	STOP MOTION FEED CAM				1.00
9	13814504	NOTCH 22 STITCHES				1.00
10	13815709	PRESSURE PLATE				1.00
11	B1240980000	BALL PUSHING SPRING				1.00
12	13814108	FEED CAM 18 STITCHES				1.00

# BUTTON CLAMP COMPONENTS (Z167 ATTACHMENT FOR SMALL BUTTONS)

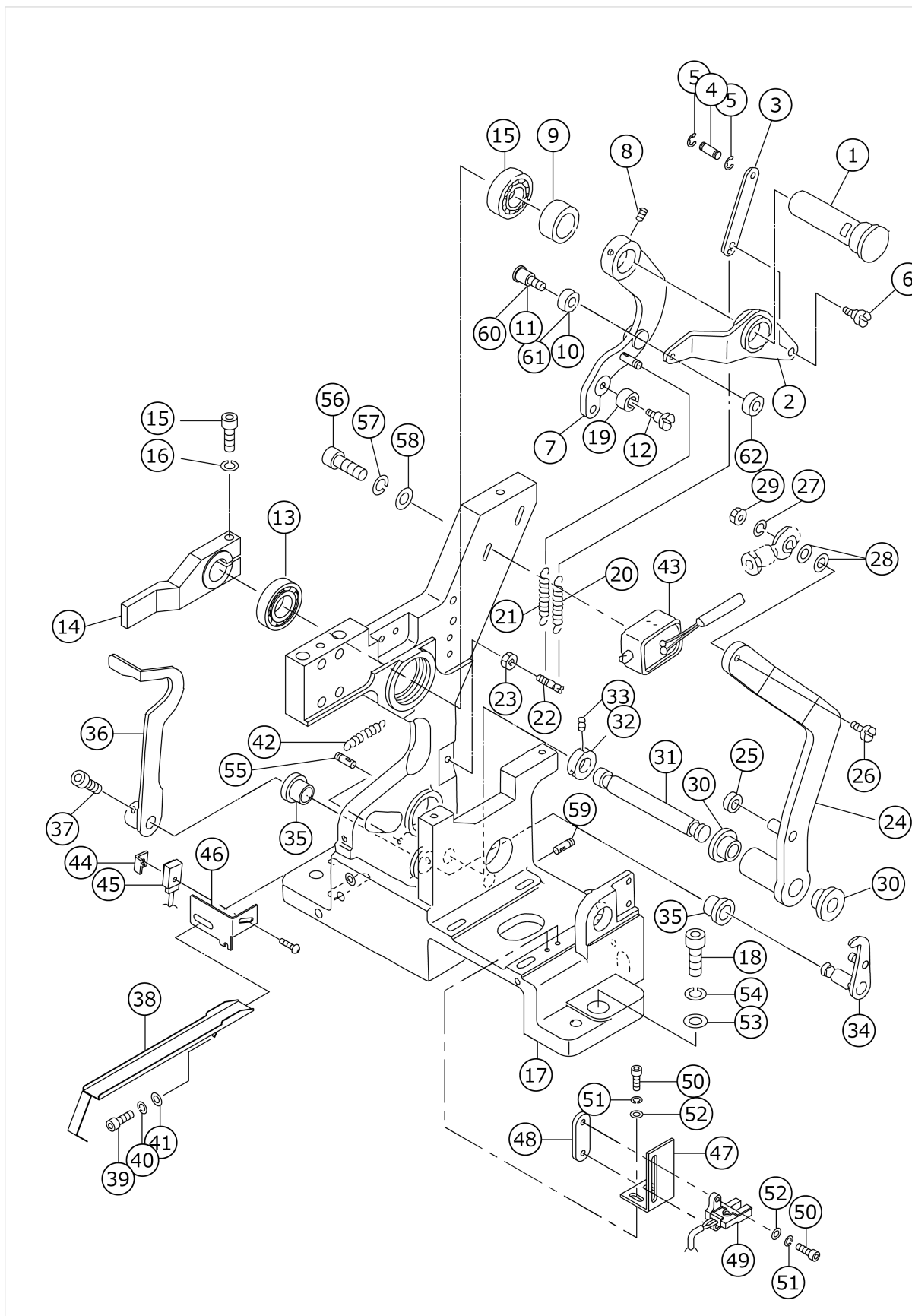


No.	品番	品名	備考	子部品	消耗品	個数
1	MAZ167140B0	S BUTTON CLAMP MECHANISM ASM.				1.00
2	MAZ155030B0	CLAMP JAW LEVER BASE ASM.		*		1.00
3	MAZ155030A0	CLAMP JAW LEVER BASE ASM.		*		1.00
4	MAZ15503000	CLAMP JAW LEVER BASE		*		1.00
5	D2505232D00	SUPPORT BOSS		*		2.00
6	MAZ15504000	BUTTON CLAMP MECHANISM BASE		*		1.00
7	D2502232D00	SHAFT BLOCK SHAFT		*		1.00
8	RE0700000K0	E-RING 7		*		2.00
9	SS9091010SP	SCREW 9/64-40 L=10		*		2.00
10	D2572M1YC0F	LINK SUPPORTING PLATE		*		1.00
11	D2548232D00	SNAP RING, FOR CONNECTING ROD		*		1.00
12	MAZ15515000	SLIDE BLOCK		*		1.00
13	MAZ15517000	SLIDE BRACKET		*		1.00
14	SS9621413SP	SCREW 3/16-32 L=13.5		*		2.00
15	WP0501016SD	WASHER 5X10.5X1		*		2.00
16	GBR01607000	SPRING HOOK		*		2.00
17	NS6080210SP	NUT 1/8-44		*		2.00
18	GBR01606000	RELEASE RETURN SPRING		*		1.00
19	MAZ088270A0	CLAMP PELEASE LINK ASM.		*		1.00
20	SS7091480SP	SCREW 9/64-40 L=13.5		*		1.00
21	B2549372R00A	CLAMP SCREW A		*		1.00
22	SD0500404SP	HINGE SCREW		*		1.00
23	GBR01601000A	CLAMP RELEASE LEVER		*		1.00
24	B2548372R00A	BUTTON CLAMP STOP LEVER ASM.		*		1.00
25	NS6090310SP	NUT 9/64-40		*		1.00
26	SD0550303SP	HINGE SCREW		*		1.00
27	MAZ15505000	BUTTON CLAMP JAW LEVER BASE		*		1.00
28	MAZ167140A0	S BUTTON CLAMP JAW LEVER ASM.L		*		1.00
29	MAZ16714000	S BUTTON CLAMP JAW LEVER, LEFT		*		1.00
30	SS7090410SP	SCREW 9/64-40 L= 3.5		*		1.00
31	MAZ08916000	LINK SCREW A		*		1.00
32	B2559372000	BUTTON CLAMP LOCATING PIN		*		1.00
33	MAZ08917000	BUTTON HOLDING SPRING, LEFT		*		1.00
34	MAZ08915000A	SENSOR LEVER		*		1.00
35	MAZ165070B0	S BUTTON CLAMP JAW LEVER ASM.R		*		1.00
36	MAZ165070A0	S BUTTON CLAMP JAW LEVER ASM.R		*		1.00
37	SS7090410SP	SCREW 9/64-40 L= 3.5		*		1.00
38	B2559372000	BUTTON CLAMP LOCATING PIN		*		1.00
39	MAZ08829000	SPRING, RIGHT		*		1.00
40	B2553372000	NUT		*		1.00
41	B2560372000	BUTTON CLAMP STOP PIN		*		2.00
42	MAZ16522000	BUTTON GUIDE FOOT		*		1.00
43	MAZ15518000	SCREW		*		2.00
44	B2561372000	BUTTON CLAMP SPRING		*		1.00
45	NS6150310SP	NUT 15/64-28		*		1.00
46	MAZ15514000	SUPPORT PLATE		*		1.00
47	13540901	STATIONING BLOCK SHAFT		*		1.00
48	SS9110543CP	SCREW 11/64-40 L=5.3		*		2.00
49	WP0612516SD	WASHER 6.1X15.2X2.5				1.00
50	13810403	PRESSURE PLATE				1.00

51	13810304	FEED PLATE				1.00
52	13811906	ACCEPT PLATE, UPPER				1.00
53	13812003	PRESSURE SPRING				1.00
54	SS7110840SP	SCREW 11/64-40 L=7.8				2.00
55	D2527232D00	SLEEVE				1.00
56	D2528232D00	SHAFT				1.00
57	B3125012000	THREAD TENSION NUT				2.00
58	GBR01161000	NUT				1.00
59	GBR01160000	ROLLER				1.00
60	18207605	HOOK				1.00
61	18209007	HOOK HOLDER				1.00
62	SS9151120CP	SCREW 15/64-28 L=11				2.00
63	WP0612516SD	WASHER 6.1X15.2X2.5				2.00
64	18208900	HOLDER BRACKET				1.00
65	SM6041202TP	SCREW M4X0.7 L=12				2.00
66	MAZ15502000	PRESSURE PLATE				1.00
67	MAZ15801000	GUIDE				1.00
68	SS9110543CP	SCREW 11/64-40 L=5.3				1.00
69	WP0501016SD	WASHER 5X10.5X1				1.00
70	SS9151120CP	SCREW 15/64-28 L=11				1.00
71	G5520164A00	SUPPORT PLATE (FOR MAN)	OPTIONAL PARTS			1.00
72	G5521164A00	SUPPORT PLATE (FOR WOMAN)	OPTIONAL PARTS			1.00
73	WS0410002KN	SPRING WASHER				2.00
74	SM6051602TP	SCREW M5X0.8 L=16				1.00
75	WS0510002KN	SPRING WASHER				1.00



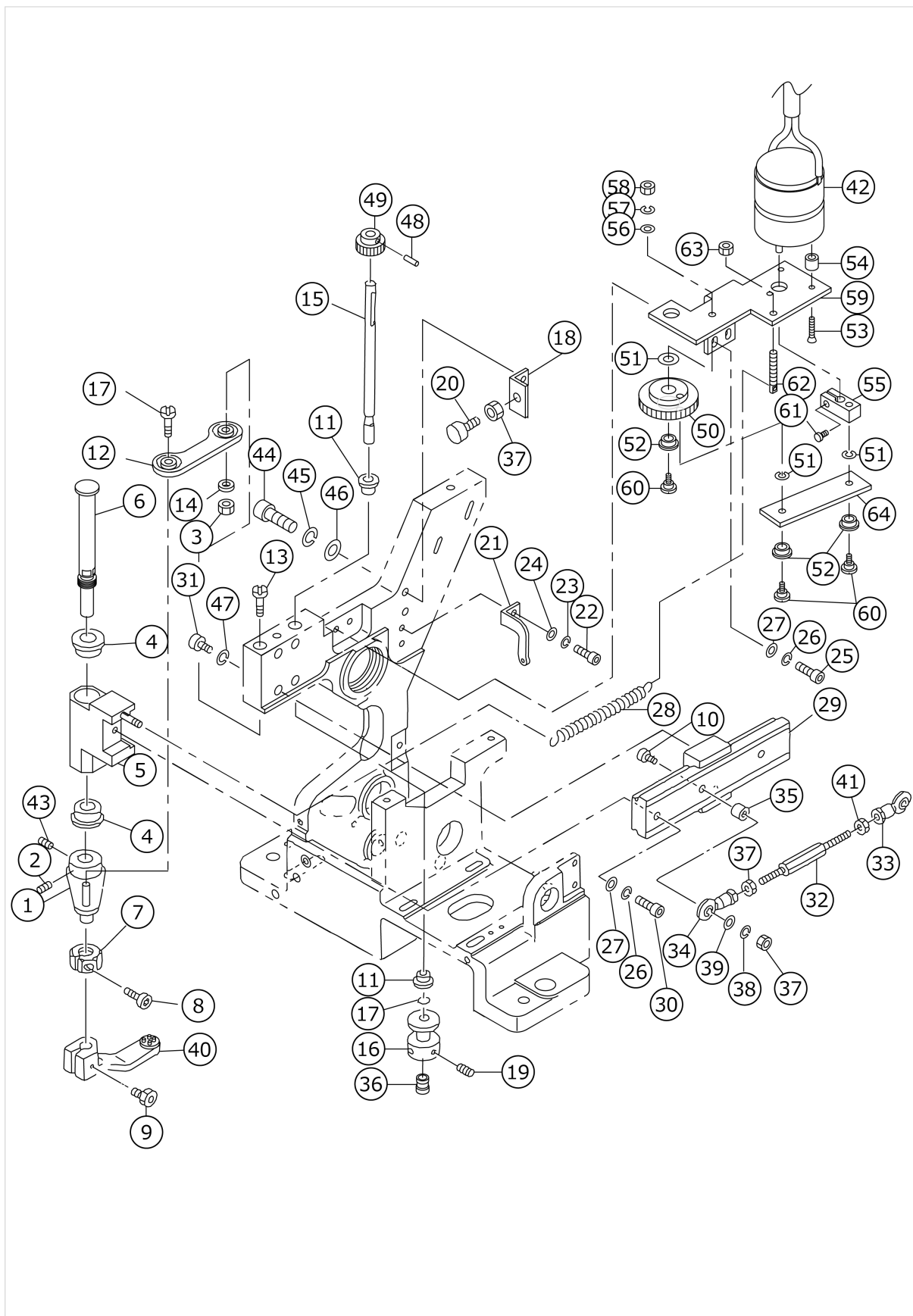
# FINE POSITION OF BUTTONS COMPONENTS (1)



No.	品番	品名	備考	子部品	消耗品	個数
1	16552507	ARM SHAFT				1.00
2	18219709	RUBBING UP-AND-DOWN LEVER				1.00
3	18218206	RUBBING UP-AND-DOWN LINK				1.00
4	16557209	PIN				1.00
5	RE0200000K0	E-RING				2.00
6	SD0600341TP	HINGE SCREW D=6.0 H=3.4				1.00
7	18227850	UP AND DOWN LEVER ASM.				1.00
8	SM8050602TP	SCREW M5 L=6				2.00
9	16552606	THRUST COLLAR				1.00
10	18219808	RUBBING ROLLER	ADDITION FROM '91.9			1.00
11	SD0600401TP	HINGE SCREW D= 6 H= 4	ADDITION FROM '91.9			1.00
12	SD0601021SP	HINGE SCREW D=6 H=10.2				1.00
13	SB115000400	RADIAL BEARING				2.00
14	18207902	UP AND DOWN ARM				1.00
15	SM6052502TP	SCREW M5X0.8 L=25				1.00
16	WS0510002KN	SPRING WASHER				1.00
17	18227702	MAIN BODY				1.00
18	SM6063002TP	SCREW M6 L=30				3.00
19	16556706	BEARING				1.00
20	16554008	SPRING				1.00
21	16553208	SPRING				1.00
22	16553307	HOOK				1.00
23	NM6050001SC	NUT M5				1.00
24	18206706	TURNING LEVER				1.00
25	16556805	COLLAR				1.00
26	SM6042002TP	SCREW M4X0.7 L=20				1.00
27	WS0410002KN	SPRING WASHER				1.00
28	WP0430800SC	WASHER M4				2.00
29	NM6040001SC	NUT M4				1.00
30	16557506	LEVER SHAFT METAL				2.00
31	16554503	SHAFT				1.00
32	16559007	BASE A (BR-10)				1.00
33	SM8040602TP	SCREW M4X0.7 L=6				2.00
34	18217752	CLAMP RELEASE ASM.				1.00
35	16557605	SHAFT BUSHING				2.00
36	18206904	CLAMP RELEASE ARM				1.00
37	SM6050802TP	SCREW M5X0.8 L=8				2.00
38	GBR11101000	SUPPORT PLATE				1.00
39	SM6041002TP	SCREW M4 L=10				1.00
40	WS0410002KN	SPRING WASHER				1.00
41	WP0430800SC	WASHER M4				1.00
42	16554008	SPRING				1.00
43	GBR10852000	MAGNET				1.00
44	GBR11104000	SENSOR BRACKET				1.00
45	GBR118470A0	UPPER & LOWER SENSOR ASM.				1.00
46	GBR11102000	SENSOR BRACKET				1.00
47	GBR21103000	SENSOR BRACKET				1.00
48	G5153171000	SENSOR PLATE				1.00

49	GBR218420A0	SWITCH ASM.				1.00
50	SM6031002TP	HEXAGONAL BOLT M3 X 10				4.00
51	WS0310002KN	SPRING WASHER M3				4.00
52	WP0320501SC	WASHER M3				4.00
53	16559601	WASHER				3.00
54	WS0610002KN	SPRING WASHER 6.1X12.2X1.5				3.00
55	18219006	DW PIN 4*14				1.00
56	SM6031402TP	SCREW				2.00
57	WS0310002KN	SPRING WASHER M3				2.00
58	WP0320500SC	WASHER M3				2.00
59	SM8050502TP	SCREW M5 L=5				1.00
60	16553406	HINGE SCREW (2)	DELITON FROM '91.9			1.00
61	16553505	ROLLER	DELITON FROM '91.9			1.00
62	NM6040001SC	NUT M4	DELITON FROM '91.9			1.00

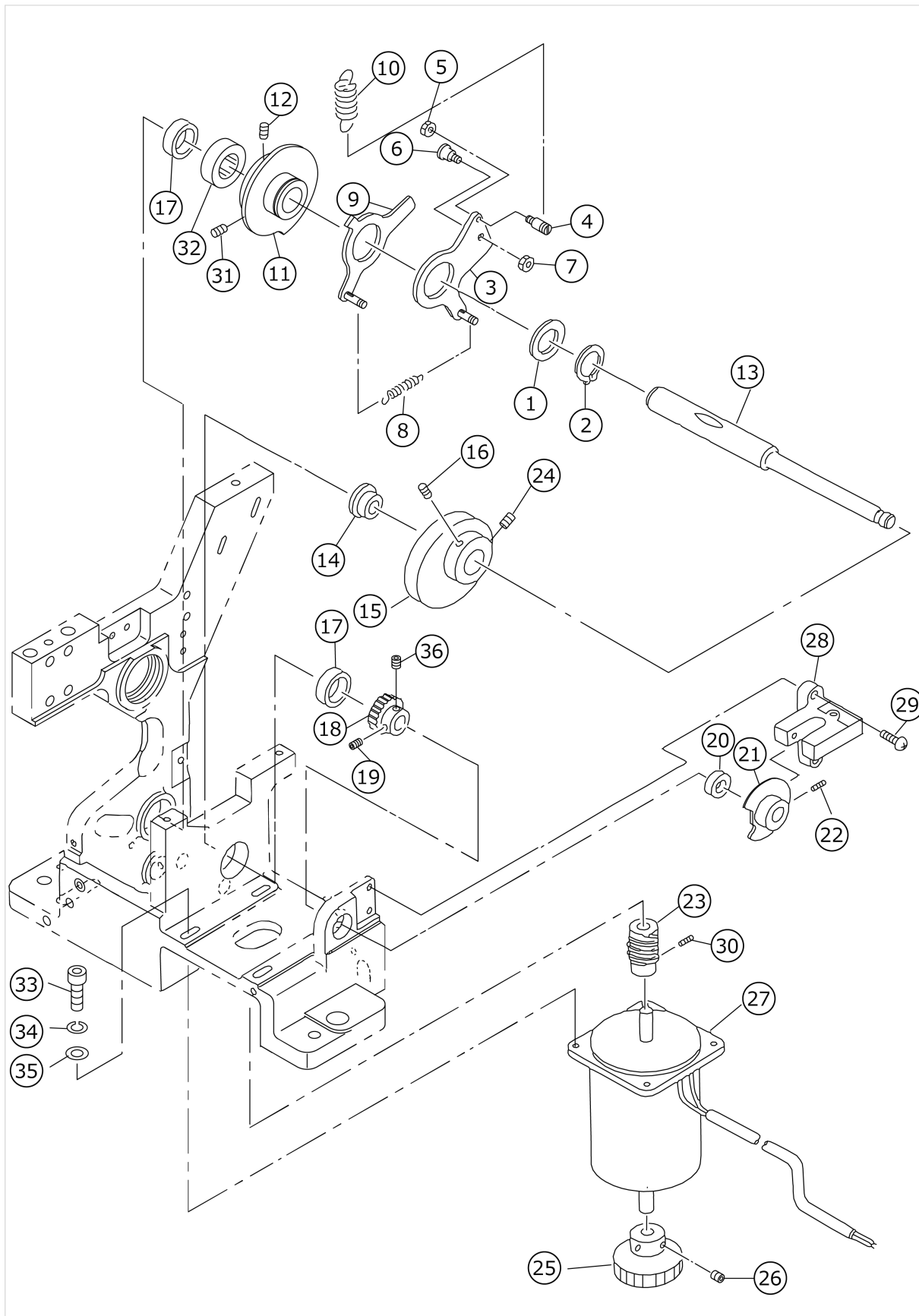
# FINE POSITION OF BUTTONS COMPONENTS (2)



No.	品番	品名	備考	子部品	消耗品	個数
1	18206003	TURNING LEVER BOSS				1.00
2	SM8050602TP	SCREW M5 L=6				1.00
3	NM6050001SC	NUT M5				1.00
4	16557407	ARM SHAFT METAL				2.00
5	18227959	TURNING HEAD ASM.				1.00
6	18205906	TURNING SHAFT				1.00
7	18206409	STOPPER				1.00
8	SM6031202TP	SCREW M3X0.5 L=12				1.00
9	GBR11108000	CARRIER FIXED BOLT				1.00
10	SM6042502TP	SCREW M4X0.7 L=25				1.00
11	16557308	METAL				2.00
12	18206656	CONNECTING PLATE ASM.				1.00
13	18205708	SCREW				2.00
14	WS0510002KS	SPRING WASHER M5				1.00
15	18206201	ROTATING ROD				1.00
16	16551905	HOOK				1.00
17	16558801	O-RING				1.00
18	18205609	STOPPER HOLDER				1.00
19	SM8040602TP	SCREW M4X0.7 L=6				2.00
20	16552309	STOPPER				1.00
21	18205401	SPRING HOOK				1.00
22	SM6040802TP	SCREW M4X0.7 L=8				2.00
23	WS0410002KN	SPRING WASHER				2.00
24	WP0430800SC	WASHER M4				2.00
25	SM6041002TP	SCREW M4 L=10				2.00
26	WS0410002KN	SPRING WASHER				3.00
27	WP0430800SC	WASHER M4				3.00
28	16551806	SPRING				1.00
29	16556607	LM GUIDE				1.00
30	SM6041402TP	SCREW M4 L=14				1.00
31	SM6031402TP	SCREW				4.00
32	16550204	CONNECTING ROD				1.00
33	16556409	ROD END				1.00
34	16556300	ROD END				1.00
35	16550402	COLLAR B				1.00
36	18200501	WORK ATTACHMENT (SMALL)				1.00
37	NM6040001SC	NUT M4				3.00
38	WS0410002KN	SPRING WASHER				1.00
39	WP0430800SC	WASHER M4				1.00
40	16557902	BUTTON CARRIER A				1.00
41	GBR01175000	ROD END NUT, LEFT				1.00
42	GBR108550A0	DC MOTOR ASM.				1.00
43	SM8050502TP	SCREW M5 L=5				1.00
44	SM6042002TP	SCREW M4X0.7 L=20				2.00
45	WP0430800SC	WASHER M4				2.00
46	WS0410002KN	SPRING WASHER				2.00
47	WS0310002KN	SPRING WASHER M3				4.00
48	PH0300125S0	PIN				1.00
49	GBR111110000	PINION, A				1.00
50	GBR11111000	PINION, B				1.00

51	GBR11114000	WASHER				3.00
52	E5006171000	PS BEARING				2.00
53	SM1031401SC	SCREW M3X0.5 L=14				3.00
54	11110707	WIPER HINGE SCREW COLLAR				3.00
55	GBR11112000	DRIVING ARM				1.00
56	WP0430801SC	WASHER 4.3X9X0.8				1.00
57	WS0410002KN	SPRING WASHER				1.00
58	NS6110360SP	NUT				1.00
59	GBR11109000	BRACKET				1.00
60	SD0600651TP	HINGE SCREW				3.00
61	SM6030602TP	SCREW M3X0.5 L=6				1.00
62	B1649161000	TENSION SPRING ADJUSTING SCREW				1.00
63	NS6110360SP	NUT				1.00
64	GBR11113000	LINK				1.00

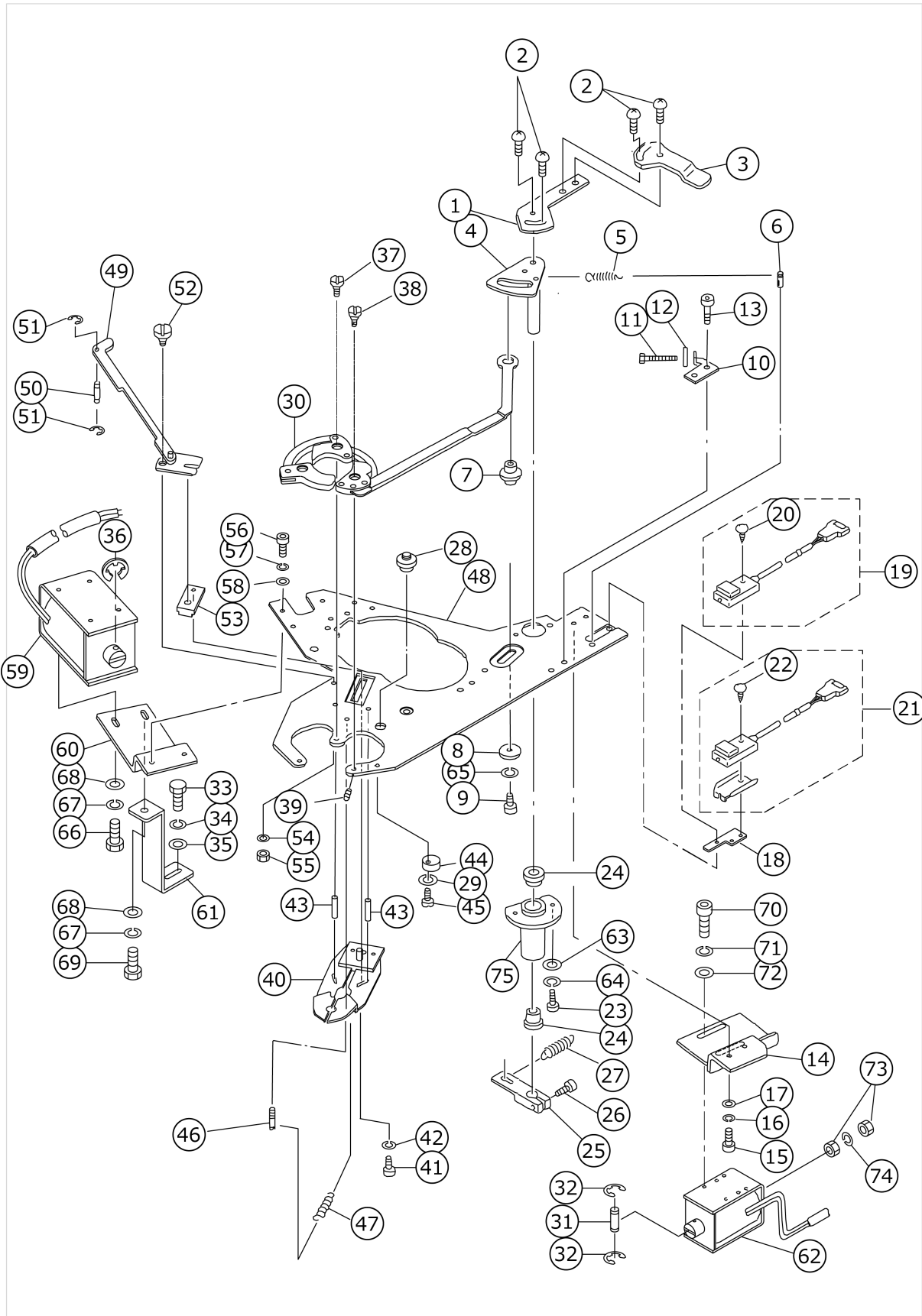
# CAM COMPONENTS



No.	品番	品名	備考	子部品	消耗品	個数
1	GBR01120000	COLLAR				1.00
2	RC2500001KP	RETAINING RING 25				1.00
3	18217950	START TIMING CAM ASM.				1.00
4	16562803	HOOK				1.00
5	NM6040001SC	NUT M4				1.00
6	16562902	HINGE SCREW				1.00
7	NM6050001SC	NUT M5				1.00
8	18212506	TENSION SPRING				1.00
9	18227553	HOLDING CLAMP DRIVE CAM ASM.				1.00
10	GBR01126000A	TENSION SPRING				1.00
11	18207209	DOUBLE CAM				1.00
12	SM8050612TP	SCREW M5X6				1.00
13	18207506	CAM SHAFT				1.00
14	16560104	CAM SHAFT COLLAR 1				1.00
15	16561607	SPINNER OSCILLATING ARM CAM				1.00
16	SM8050812TP	SCREW M5X8				1.00
17	GBR01168000	NEEDLE BEARING 3				2.00
18	16562001	WORM WHEEL				1.00
19	16562407	SCREW				1.00
20	16562308	NEEDLE BEARING				1.00
21	GBR11107000	SENSOR DOCK				1.00
22	SM8040602TP	SCREW M4X0.7 L=6				1.00
23	16562100	WORM GEAR				1.00
24	SM8050842TP	SETSCREW				1.00
25	G5418164000	SULLEY				1.00
26	SM8050602TP	WOOD SCREW				1.00
27	GBR108590A0	DC MOTOR ASM.				1.00
28	HD000360000	PHOTO MICRO SENSOR				1.00
29	SL4031081SC	SCREW M3 X 10				2.00
30	SM8040402TP	SCREW M4X0.7 L=4				2.00
31	SM8050842TP	SETSCREW				1.00
32	16560203	CAM SHAFT COLLAR 2				1.00
33	SM6062002TP	SCREW M6 L=20				4.00
34	WS0610002KN	SPRING WASHER 6.1X12.2X1.5				4.00
35	WP0641600SC	WASHEW 6.4X12.5X1.6				4.00
36	SM8050602TP	SCREW M5 L=6				1.00



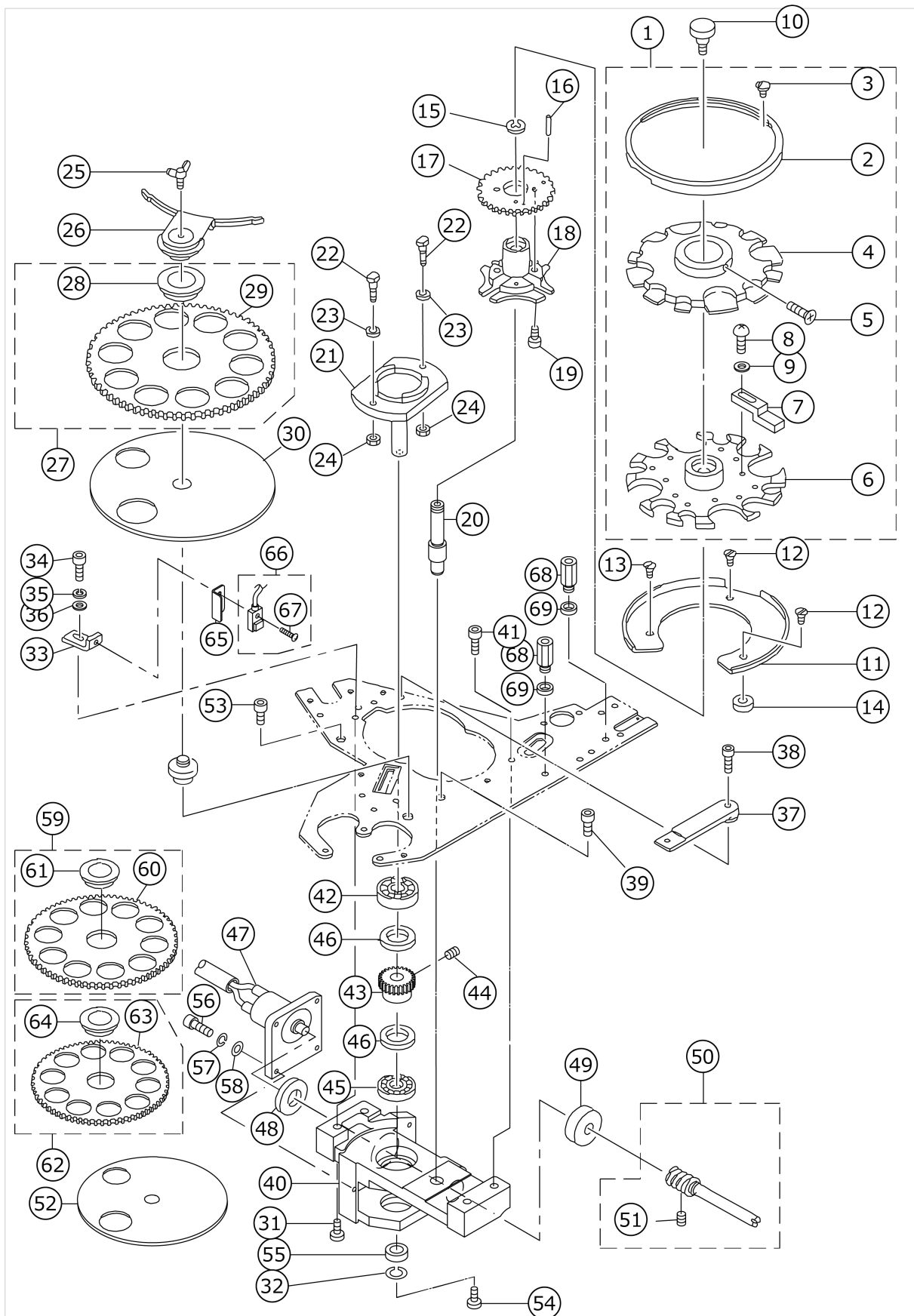
# INDEX COMPONENTS (1)



No.	品番	品名	備考	子部品	消耗品	個数
1	16566507	CHECK DOG				1.00
2	SM0040601SC	SCREW M4X0.7 L=6				4.00
3	16574105	DOG				1.00
4	16566002	SPINNER CAM				1.00
5	16553208	SPRING				1.00
6	18218909	DW PIN 4*12				1.00
7	16565707	SHAFT (1)				1.00
8	B2107816000	WASHER				1.00
9	SM6041002TP	SCREW M4 L=10				1.00
10	16566606	STOPPER BKT				1.00
11	SM8042502TP	SCREW M4X0.7 L=25				1.00
12	NM6040001SC	NUT M4				1.00
13	SM6040802TR	SCREW M4X0.7 L=8				2.00
14	16567000	BRACKET (1)				1.00
15	SM6041002TP	SCREW M4 L=10				2.00
16	WS0410002KN	SPRING WASHER				2.00
17	WP0430800SC	WASHER M4				2.00
18	16574006	BRACKET				1.00
19	GBR108440A0	BUTTON SENSOR SWITCH ASM.				1.00
20	SM0861201SA	SCREW		*		2.00
21	GBR108430A0	RUB COMPLETION SWITCH ASM.				1.00
22	SM0861201SA	SCREW		*		1.00
23	SM6041002TP	SCREW M4 L=10				2.00
24	16572406	METAL				2.00
25	16566408	LINK LEVER				1.00
26	SM6041202TP	SCREW M4X0.7 L=12				1.00
27	18201608	SPRING, 2				1.00
28	18218008	SHAFT (2)				1.00
29	WP0430800SC	WASHER M4				1.00
30	18202150	CHECK ASM., A				1.00
31	16557209	PIN				1.00
32	RE0200000K0	E-RING				2.00
33	SM6061602TP	SCREW M6 L=16				1.00
34	WS0610002KN	SPRING WASHER 6.1X12.2X1.5				1.00
35	WP0641600SC	WASHEW 6.4X12.5X1.6				1.00
36	RE1200000K0	E-RING 12				1.00
37	16565400	HING PIN (2)				2.00
38	16565509	HING PIN (1)				1.00
39	SM8030402TP	SCREW M3X0.5 L=4				1.00
40	16567166	SHUTTER PLATE ASM.				1.00
41	SM6041202TP	SCREW M4X0.7 L=12				1.00
42	WS0410002KN	SPRING WASHER				1.00
43	18204107	PIN				2.00
44	18209502	ECCENTRIC STOPPER				1.00
45	SM6041202TP	SCREW M4X0.7 L=12				1.00
46	18219204	DW PIN 4*18				1.00
47	16554008	SPRING				1.00
48	18217505	TOP PLATE				1.00
49	16567802	LINK PLATE				1.00
50	16572505	PIN				1.00

51	RE0250000K0	E-RING 2.5				2.00
52	16567901	HING SCREW				1.00
53	16573305	SLIDER BLOCK				1.00
54	WS0410002KN	SPRING WASHER				1.00
55	NM6040001SC	NUT M4				2.00
56	SM6041002TP	SCREW M4 L=10				2.00
57	WS0410002KN	SPRING WASHER				2.00
58	WP0430800SC	WASHER M4				2.00
59	GBR10853000	MAGNET				1.00
60	16568206	BRACKET (2)				1.00
61	18209403	SUPPORT PLATE				1.00
62	GBR10854000	MAGNET				1.00
63	WP0430800SC	WASHER M4				2.00
64	WS0410002KN	SPRING WASHER				2.00
65	WS0410002KN	SPRING WASHER				1.00
66	SM6040802TP	SCREW M4X0.7 L=8				3.00
67	WS0410002KN	SPRING WASHER				4.00
68	WP0430800SC	WASHER M4				4.00
69	SM6041202TP	SCREW M4X0.7 L=12				1.00
70	SM6040802TP	SCREW M4X0.7 L=8				2.00
71	WS0410002KN	SPRING WASHER				2.00
72	WP0430800SC	WASHER M4				2.00
73	NM6040001SC	NUT M4				2.00
74	WS0410002KN	SPRING WASHER				1.00
75	16565905	CUPLING				1.00

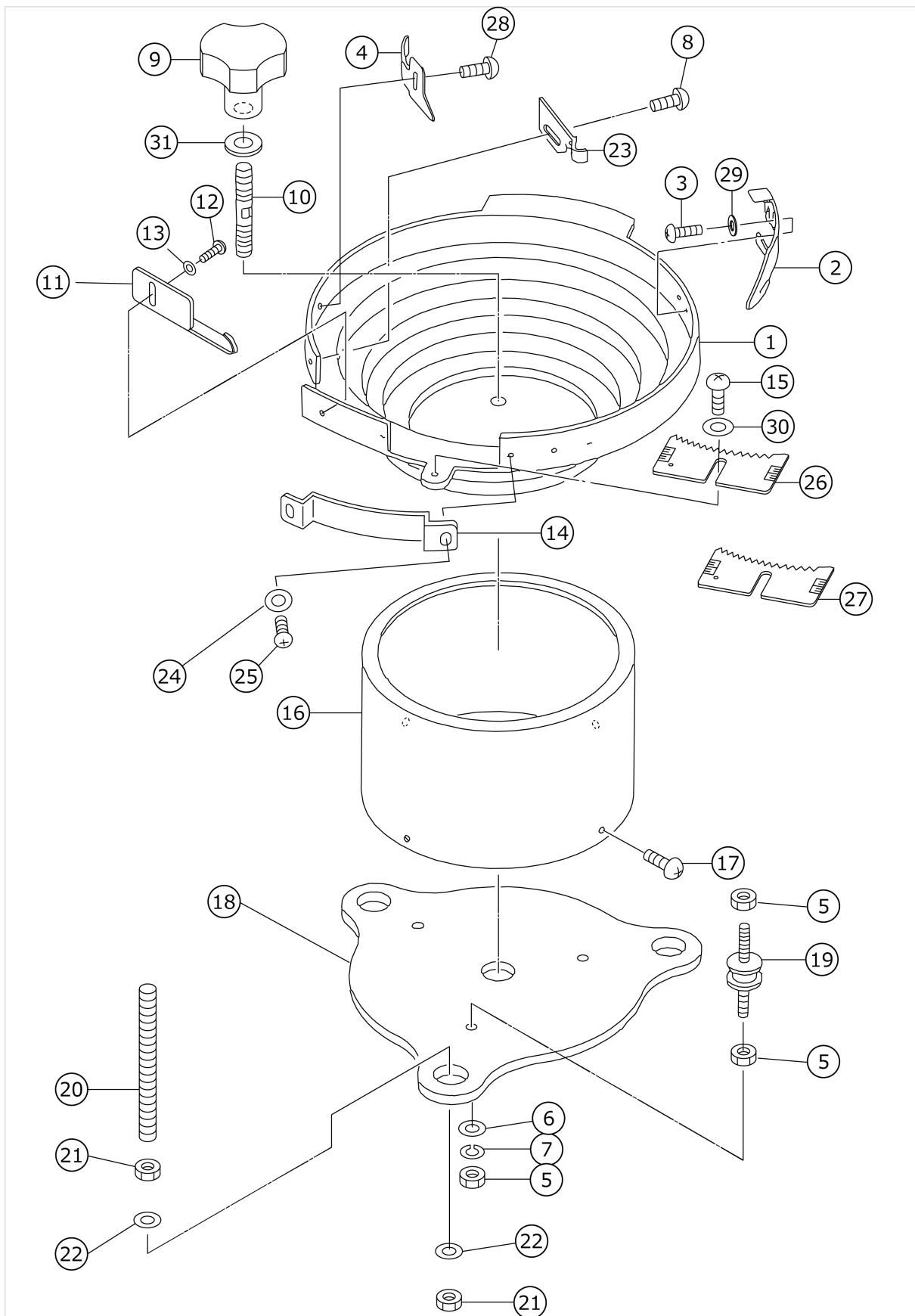
# INDEX COMPONENTS (2)



No.	品番	品名	備考	子部品	消耗品	個数
1	18201962	FEED ACROSS PLATE ASM. A				1.00
2	16573701	RING		*		1.00
3	SM0040601SC	SCREW M4X0.7 L=6		*		2.00
4	18203307	ADJUSTING PLATE		*		1.00
5	SL4030881SC	SCREW M3 L=8		*		1.00
6	18201905	FEED PLATE A		*		1.00
7	18202002	BUTTON ADJUST A		*		8.00
8	SM4860501SC	SCREW M 2.6 X 5		*		8.00
9	WP0280500SC	WASHER		*		8.00
10	16573800	SCREW				1.00
11	16569204	REST				1.00
12	SM1041201SC	SCREW M4 L=12				2.00
13	SM1040601SC	SCREW M4X0.7 L=6				1.00
14	16573008	COLLAR				2.00
15	16571903	CLIP				1.00
16	PH0300185S0	PIN				1.00
17	16569600	GEAR				1.00
18	16569501	GENEVA				1.00
19	SM6030802TP	SCREW M3X0.5 L=8				2.00
20	18219501	DIVIDING MAIN SHAFT				1.00
21	16570103	WHEEL				1.00
22	16570202	SCREW				2.00
23	16570301	COLLAR				2.00
24	NM6040001SC	NUT M4				2.00
25	18204503	WING BOLT				1.00
26	16568909	COVER CAP				1.00
27	18200352	FEED PLATE CIRCLE 16 ASM.				1.00
28	16572703	METAL		*		1.00
29	18200303	FEED PLATE 16		*		1.00
30	16568404	FERRULE DISC				1.00
31	SM6052002TP	SCREW M5 L=20				1.00
32	WS0410002KN	SPRING WASHER				1.00
33	16570707	SENSOR BRACKET				1.00
34	SM6040802TR	SCREW M4X0.7 L=8				1.00
35	WS0410002KN	SPRING WASHER				1.00
36	WP0430800SC	WASHER M4				1.00
37	16570905	STAND PLATE (1)				1.00
38	SM6041202TP	SCREW M4X0.7 L=12				1.00
39	SM6051202TP	SCREW M5X0.8 L=12				1.00
40	18219600	GENEVA HOUSE				1.00
41	SM6051602TP	SCREW M5X0.8 L=16				3.00
42	SB110000400	BALL BEARING				1.00
43	16571507	WORM WHEEL				1.00
44	SM8050842TP	SETSCREW				1.00
45	16571804	BEARING A				1.00
46	16573909	THRUST COLLAR				2.00
47	GBR108560A0	DC MOTOR ASM.				1.00
48	16570509	THRUST COLLAR				1.00
49	16571408	NEEDLE BEARING				1.00
50	16570657	TURNING SHAFT ASM.				1.00

51	SM8040402TP	SCREW M4X0.7 L=4		*		2.00
52	18201103	HOLDING PLATE (SMALL)	OPTIONAL PARTS			1.00
53	SM6051202TP	SCREW M5X0.8 L=12				1.00
54	SM6041002TP	SCREW M4 L=10				1.00
55	B2107816000	WASHER				1.00
56	SM6030802TP	SCREW M3X0.5 L=8				4.00
57	WS0310002KN	SPRING WASHER M3				4.00
58	WP0320500SC	WASHER M3				4.00
59	16568651	FEED PLATE 22B ASM.	OPTIONAL PARTS			1.00
60	16568602	FEED PLATE 22B		*		1.00
61	16572703	METAL		*		1.00
62	18200956	FEED PLATE CIRCLE 13.5 ASM.	OPTIONAL PARTS			1.00
63	18200907	FEED PLATE 12.5		*		1.00
64	16572703	METAL		*		1.00
65	18212902	SENSOR COVER				1.00
66	SM0861201SA	SCREW				1.00
67	GBR108450A0	INDEX STARTING SWITCH ASM.		*		1.00
68	HX003390000	STUD				2.00
69	B3052816000	WASHER				2.00

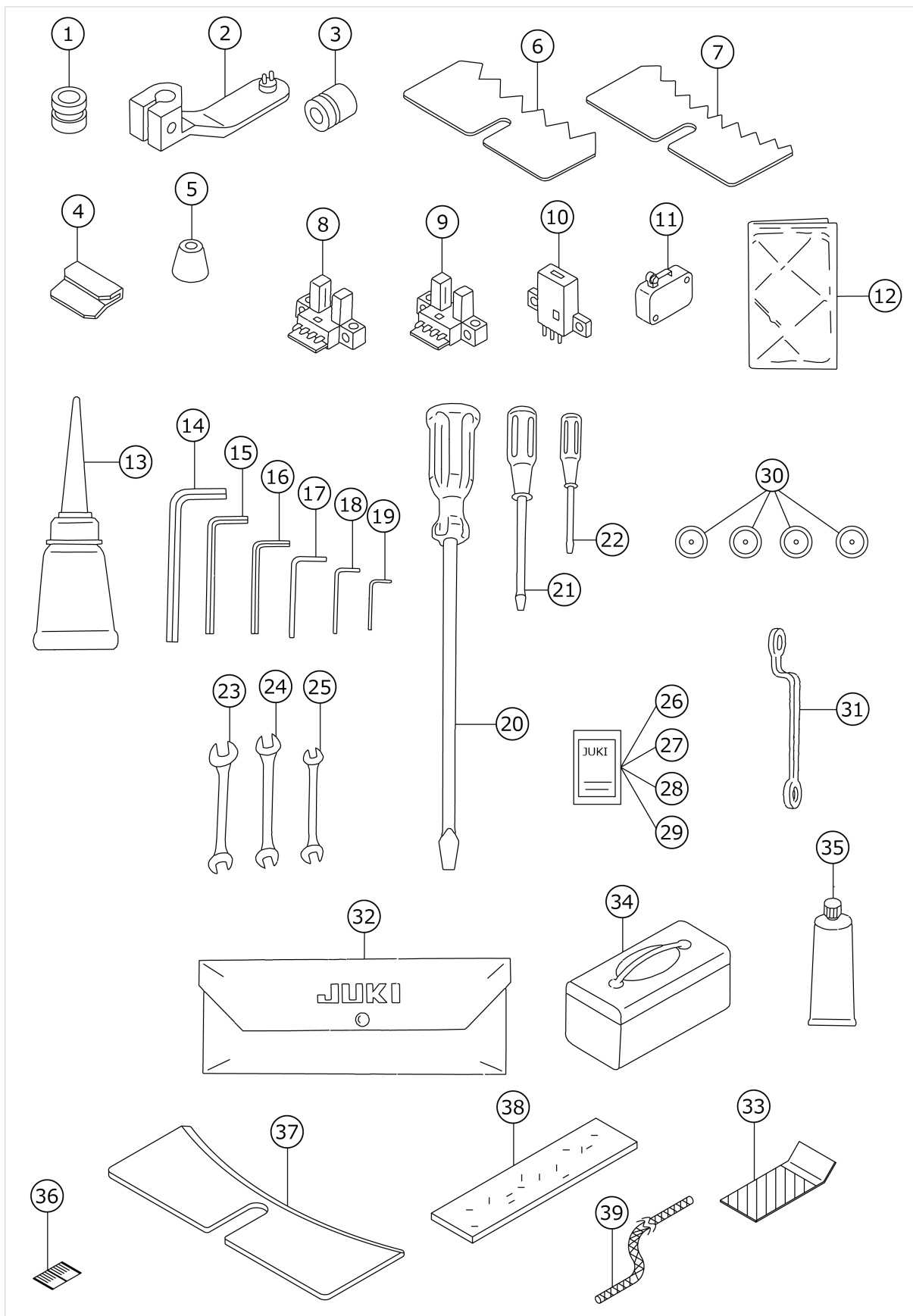
# FEEDER BOWL COMPONENTS



No.	品番	品名	備考	子部品	消耗品	個数
1	16577009	FEEDER BOWL				1.00
2	GBR01426000	GUIDE PLATE				1.00
3	SS4110815SP	SCREW 11/64-40 L=8				2.00
4	GBR01441000	BUTTON STANDING PREVENT PLATE				1.00
5	NM6060001SC	NUT M6				9.00
6	WP0641600SC	WASHEW 6.4X12.5X1.6				3.00
7	WS0610002KN	SPRING WASHER 6.1X12.2X1.5				3.00
8	SM0040801SF	SCREW M4X0.7 L=8				1.00
9	GBR01431000	BOWL FIXING KNOB				1.00
10	GBR01432000	BOWL FIXING SCREW				1.00
11	16577504	SELECTOR PLATE				1.00
12	SM4040801SN	SCREW M4 L=8				1.00
13	WP0430800SC	WASHER M4				1.00
14	GBR01428000	GUIDE PLATE				1.00
15	SM4051001SN	SCREW M5				1.00
16	16577207	P/F COVER				1.00
17	SM0040601SC	SCREW M4X0.7 L=6				4.00
18	16577108	P/F INSTALLING BASE				1.00
19	GBR01429000A	VIBRATION-PROOF RUBBER				3.00
20	16577306	MOUNTING BOLT				3.00
21	NM6080001SC	NUT M8X1.25				6.00
22	16577405	WASHER				6.00
23	18202408	BUTTON GUIDE A				1.00
24	WP0320500SC	WASHER M3				2.00
25	SM4030601SN	SCREW M3 X 6				2.00
26	GBR014220A0	SELECTION PLATE ASM. (SMALL)	OPTIONAL PART			1.00
27	18251553	SELECTION PLATE ASM. (VERY SMA				1.00
28	SM4040801SN	SCREW M4 L=8				1.00
29	WP0450801SD	WASHER 4.5X10X0.8				2.00
30	WP0531000SC	WASHER 5.3X10X1				1.00
31	WP0841601SC	WASHER 8.4X17.4X1.6				1.00

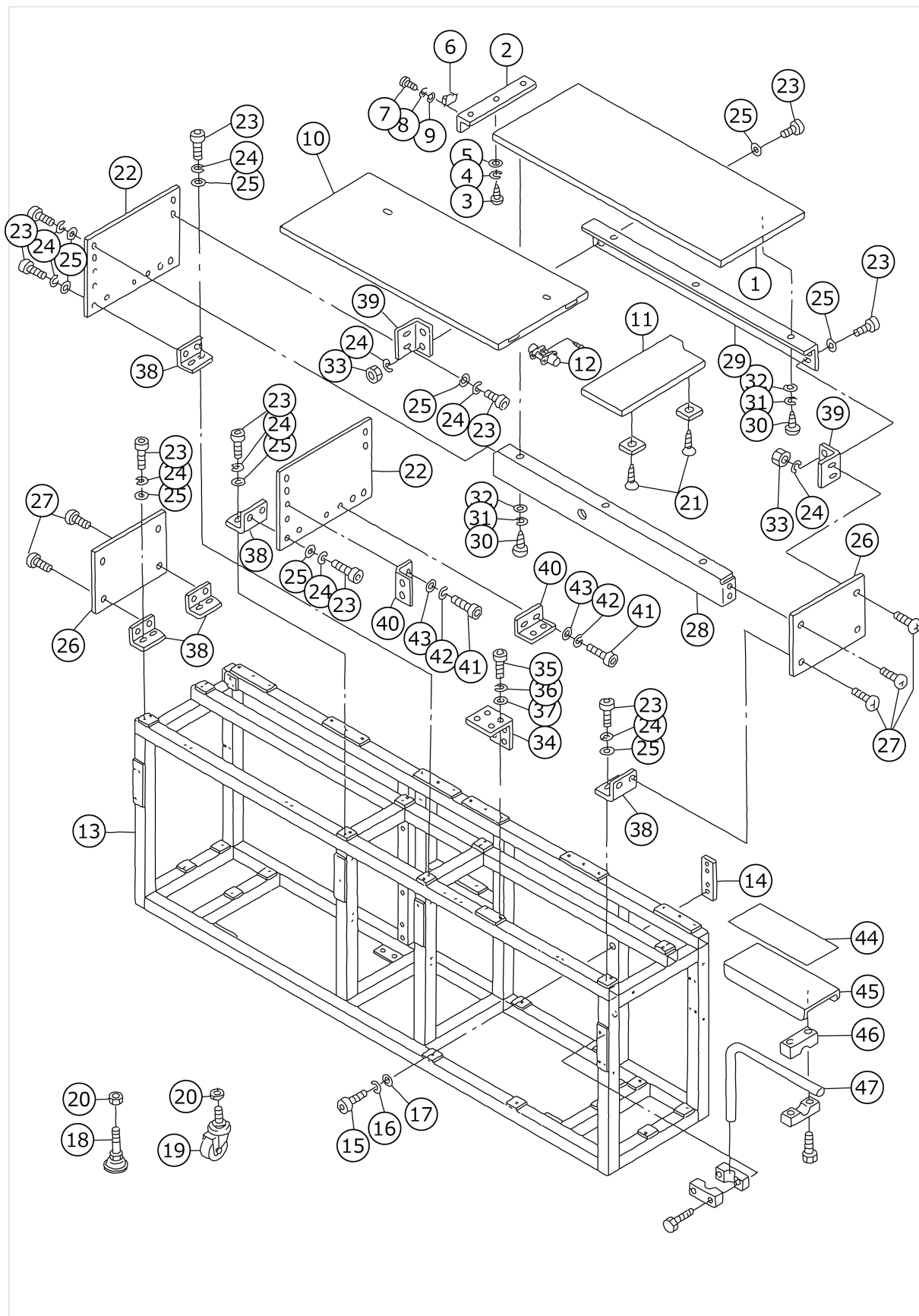


# ACCESSORIES COMPONENTS



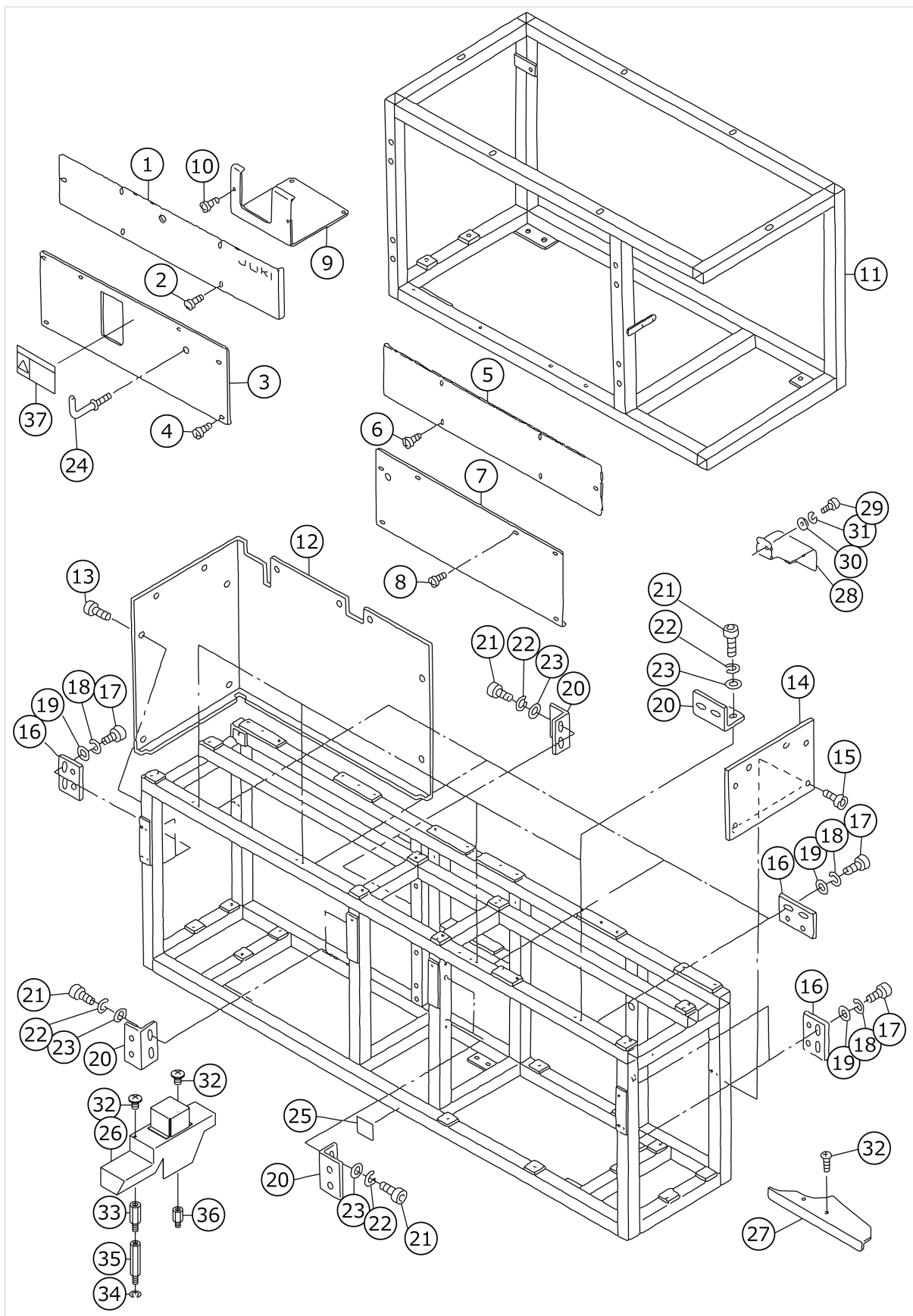
No.	品番	品名	備考	子部品	消耗品	個数
1	18200501	WORK ATTACHMENT (SMALL)				3.00
2	16558009	BUTTON CARRIER B				1.00
3	16558108	RING, SMALL				1.00
4	G5135164000	WOMAN GAUGE				1.00
5	G5138161000	RUBBER CAP				1.00
6	GBR01423000	SELECTOR PLATE, MEDIUM				1.00
7	GBR01422000	SELECTOR PLATE, SMALL				1.00
8	HD000830000	PHOTO SENSOR				1.00
9	HD000670000	SENSOR				1.00
10	HD000840000	PHOTO SENSOR				1.00
11	HA000830000	MICROSWITCH				1.00
12	B9118232000	VINYL COVER				1.00
13	B91210120A0	OILER ASM.				1.00
14	B9142372000	HEXAGONAL WRENCH (7.1X8.1)				1.00
15	GCT02906000	HEXAGONAL SPANNER				1.00
16	D9101L9SB00	HEXAGONAL BAR SPANNER				1.00
17	B9141372000	HEXAGONAL WRENCH, LARGE				1.00
18	GCT02904000	SPANNER				1.00
19	GCT02905000	SPANNER				1.00
20	B9109555000	SCREW DRIVER, LARGE				1.00
21	B9110012000	SCREW DRIVER, MIDDLE				1.00
22	B9111012000	SCREW DRIVER, SMALL				1.00
23	B9112012000	WRENCH (11X14)				1.00
24	B9113012000	WRENCH (9X10)				1.00
25	B9143372000	WRENCH (7.1 X 8.1)				1.00
26	MDP170B1404	NEEDLE DPX17 #14 (285-521)	SELECTIVE PARTS			1.00
27	MDP170B1604	NEEDLE DPX17 #16-4EA.	SELECTIVE PARTS			1.00
28	MC372000905	NEEDLE SY3355 90-5	SELECTIVE PARTS			1.00
29	MC372001005	NEEDLE SY3355 100-5	SELECTIVE PARTS			1.00
30	13812102	BOBBIN				4.00
31	13533203	WRENCH				1.00
32	B9101552000	ACCESSORY BOX				1.00
33	G5139164000	EXTENSION PLATE				3.00
34	B8601WP10A0	TOOL BOX ASM.				1.00
35	13525506	GREASE TUBE				1.00
36	18204701	SCALE				4.00
37	GBR01437000	AUXILIARY PLATE				1.00
38	18250407	SANDER (CLOTH)				3.00
39	18250506	SANDER (CORD)				2.00

# FRAME COMPONENTS



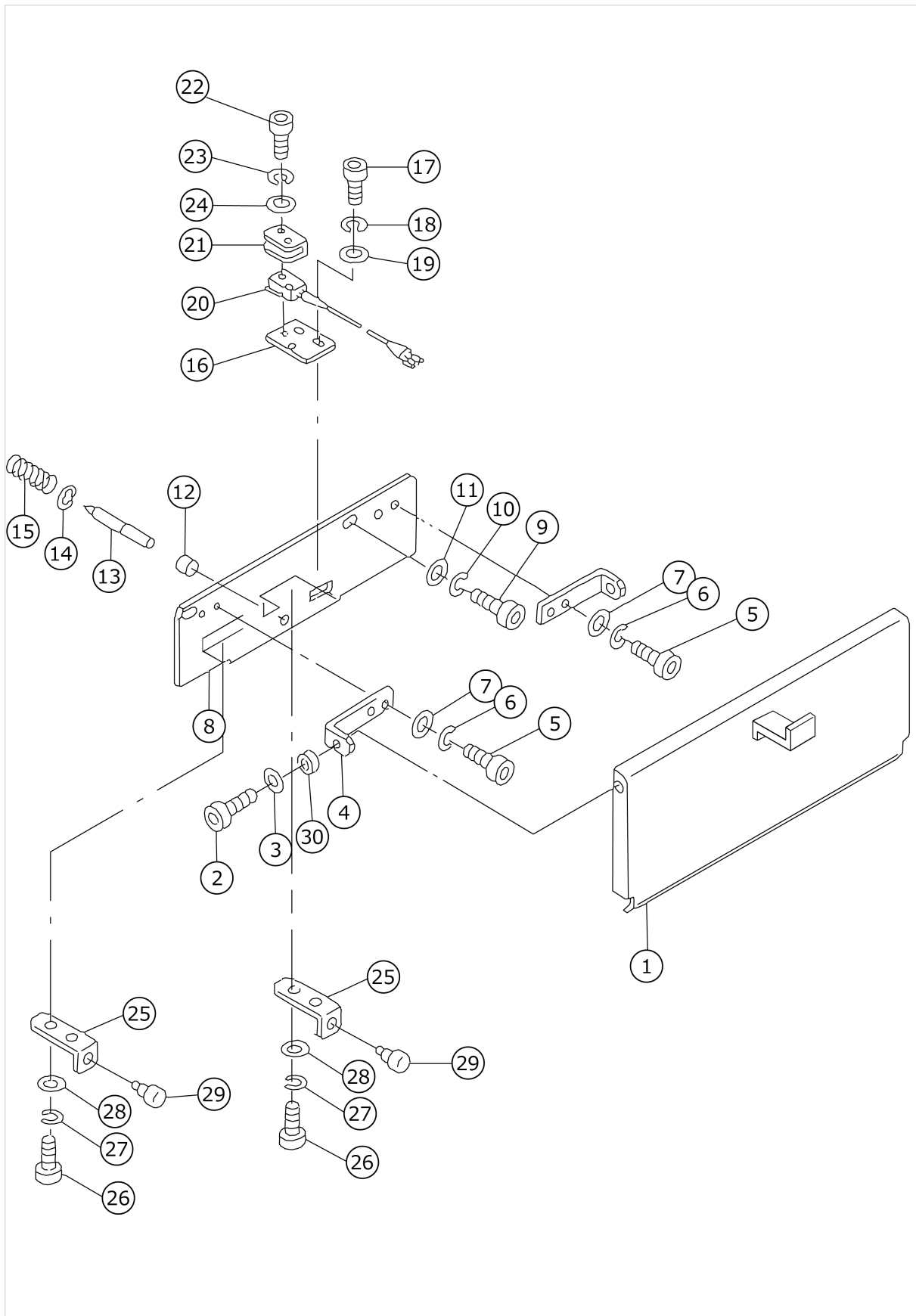
No.	品番	品名	備考	子部品	消耗品	個数
1	G5016164000	TABLE, RIGHT				1.00
2	G5018164000	BRACKET				1.00
3	SK3381601SC	WOOD SCREW D=3.8 L=16				3.00
4	WS0410002KN	SPRING WASHER				3.00
5	WP0430801SC	WASHER 4.3X9X0.8				3.00
6	G5045164000	MAGNET CATCH				2.00
7	SM6030602TP	SCREW M3X0.5 L=6				4.00
8	WS0310002KN	SPRING WASHER M3				4.00
9	WP0320501SC	WASHER M3				4.00
10	G5015164000	TABLE, LEFT				1.00
11	G5017164A00	MOVABLE TABLE				1.00
12	G5020164000	HINGE				2.00
13	G5001164000	BASE FRAME				1.00
14	G5041164000	CONNECTING PLATE				4.00
15	SM6082002TN	SCREW M8 L=20				16.00
16	WS0820002KN	SPRING WASHER M8				16.00
17	WP0841601SC	WASHER 8.4X17.4X1.6				16.00
18	G5033172000	ADJUSTER				4.00
19	G5032164000	CASTER				6.00
20	NM6160001SC	NUT				10.00
21	SK1271301SC	WOOD SCREW				2.00
22	G5002164000	TABLE SUPPORT PLATE INNER				2.00
23	SM6061202TP	SCREW M6 L=12				36.00
24	WS0610002KN	SPRING WASHER 6.1X12.2X1.5				36.00
25	WP0641601SC	WASHER				36.00
26	G5003164000	TABLE SUPPORT PLATE OUTER				2.00
27	SM0060801SA	SCREW				8.00
28	G5004164000	TABLE SUPPORT, FRONT				2.00
29	G5005164000	TABLE SUPPORT, REAR				2.00
30	SK3381601SC	WOOD SCREW D=3.8 L=16				12.00
31	WS0410002KN	SPRING WASHER				12.00
32	WP0430801SC	WASHER 4.3X9X0.8				12.00
33	NM6060001SC	NUT M6				4.00
34	G5028164000	INSTALLING PLATE				1.00
35	SM6061202TP	SCREW M6 L=12				2.00
36	WS0610002KN	SPRING WASHER 6.1X12.2X1.5				2.00
37	WP0641601SC	WASHER				2.00
38	G5038171000	SIDE PLATE SUPPORT				8.00
39	G5045171000	SIDE PLATE HOLDER				4.00
40	G5034171000	COVER SUPPORT				14.00
41	SM6040802TP	SCREW M4X0.7 L=8				28.00
42	WS0410002KN	SPRING WASHER				28.00
43	WP0430801SC	WASHER 4.3X9X0.8				28.00
44	G5022164000	CUSHION				1.00
45	G5021164000	CLOTH TABLE				1.00
46	B1141229000	OPERATION BOX STRUT CLAMP				4.00
47	G5023164000	STAY				1.00

# COVER COMPONENTS



No.	品番	品名	備考	子部品	消耗品	個数
1	G5034164000	RIGHT UPPER COVER				1.00
2	SM0040601SA	SCREW				5.00
3	G5036164000	RIGHT LOWER COVER				1.00
4	SM0040601SA	SCREW				6.00
5	G5033164000	LEFT UPPER COVER				1.00
6	SM0040601SA	SCREW				5.00
7	G5035164000	LEFT LOWER COVER				1.00
8	SM0040601SA	SCREW				6.00
9	G5039164A00	MIDDLE COVER				1.00
10	SM0040601SA	SCREW				2.00
11	G5401164A00	MACHINE BASE				1.00
12	G5037164000	LEFT SIDE COVER				1.00
13	SM0040601SA	SCREW				11.00
14	G5038164000	RIGHT SIDE COVER				1.00
15	SM0040601SA	SCREW				6.00
16	G5040164000	COVER SUPPORT, B				8.00
17	SM6040802TP	SCREW M4X0.7 L=8				16.00
18	WS0410002KN	SPRING WASHER				16.00
19	WP0430801SC	WASHER 4.3X9X0.8				16.00
20	G5034171000	COVER SUPPORT				14.00
21	SM6040802TP	SCREW M4X0.7 L=8				28.00
22	WS0410002KN	SPRING WASHER				28.00
23	WP0430801SC	WASHER 4.3X9X0.8				28.00
24	G5026162000	HOOK				1.00
25	16870206	GRAVITY SEAL				1.00
26	18228007	COVER				1.00
27	18222604	FRONT COVER A				1.00
28	16586307	COVER,REAR				1.00
29	SM6041002TP	SCREW M4 L=10				2.00
30	WP0430800SC	WASHER M4				2.00
31	WS0410002KN	SPRING WASHER				2.00
32	SM0040601SA	SCREW				2.00
33	18228106	SPACER B				1.00
34	WS0410002KN	SPRING WASHER				1.00
35	HX00339000B	BOARD PARTS				1.00
36	HX003390000	STUD				1.00
37	CM300200202	SAFETY LABEL 2 (LARGE)	FOR JAPAN			1.00

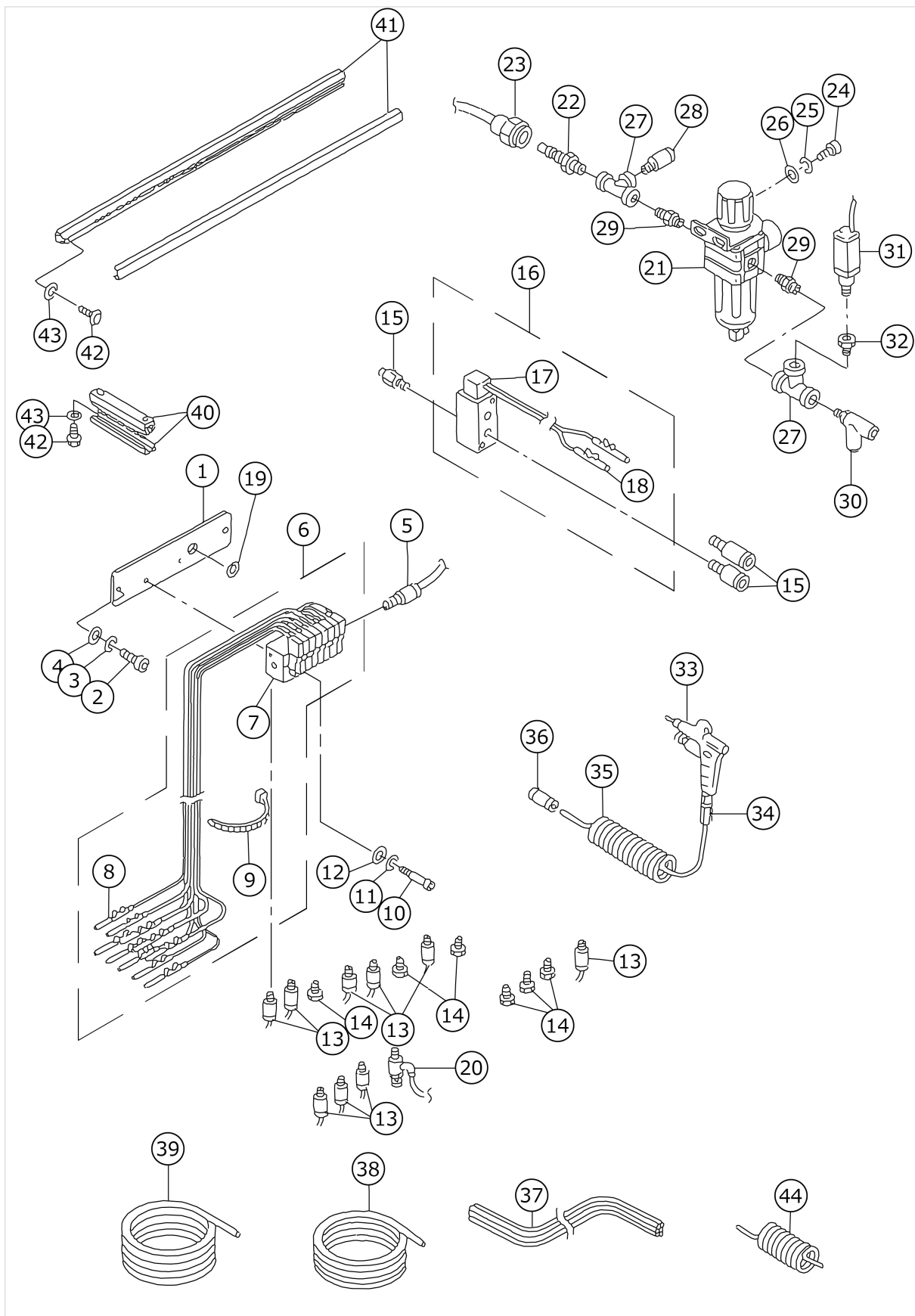
# COVER & KNEE SWITCH COMPONENTS



No.	品番	品名	備考	子部品	消耗品	個数
1	G5025164000	START SWITCH PLATE				1.00
2	SM6061202TP	SCREW M6 L=12				2.00
3	WP0641601SC	WASHER				2.00
4	G5027164000	START SWITCH SHAFT PLATE				2.00
5	SM6040802TP	SCREW M4X0.7 L=8				4.00
6	WS0410002KN	SPRING WASHER				4.00
7	WP0430801SC	WASHER 4.3X9X0.8				4.00
8	G5024164000	INSTALLING PLATE				1.00
9	SM6061202TP	SCREW M6 L=12				2.00
10	WS0610002KN	SPRING WASHER 6.1X12.2X1.5				2.00
11	WP0641601SC	WASHER				2.00
12	G5138161000	RUBBER CAP				1.00
13	G5026164000	START SWITCH ROD				1.00
14	RE0400000K0	E-RING 4				1.00
15	G5019171000	SPRING				1.00
16	G5020171000	SWITCH HOLDER				1.00
17	SM6040802TP	SCREW M4X0.7 L=8				2.00
18	WS0410002KN	SPRING WASHER				2.00
19	WP0430801SC	WASHER 4.3X9X0.8				2.00
20	G61041640A0	START SW ASM.				1.00
21	MAO11602N00	MICRO-SWITCH COVER				1.00
22	SM6031602TP	SCREW				2.00
23	WS0310002KN	SPRING WASHER M3				2.00
24	WP0320501SC	WASHER M3				2.00
25	G5009162000	STOPPER PLATE				2.00
26	SM6040802TP	SCREW M4X0.7 L=8				4.00
27	WS0410002KN	SPRING WASHER				4.00
28	WP0430801SC	WASHER 4.3X9X0.8				4.00
29	G5021171000	RUBBER CUSHION				2.00
30	B2544280000	WASHER, FOR WORK CLAMP FOOT HO				2.00

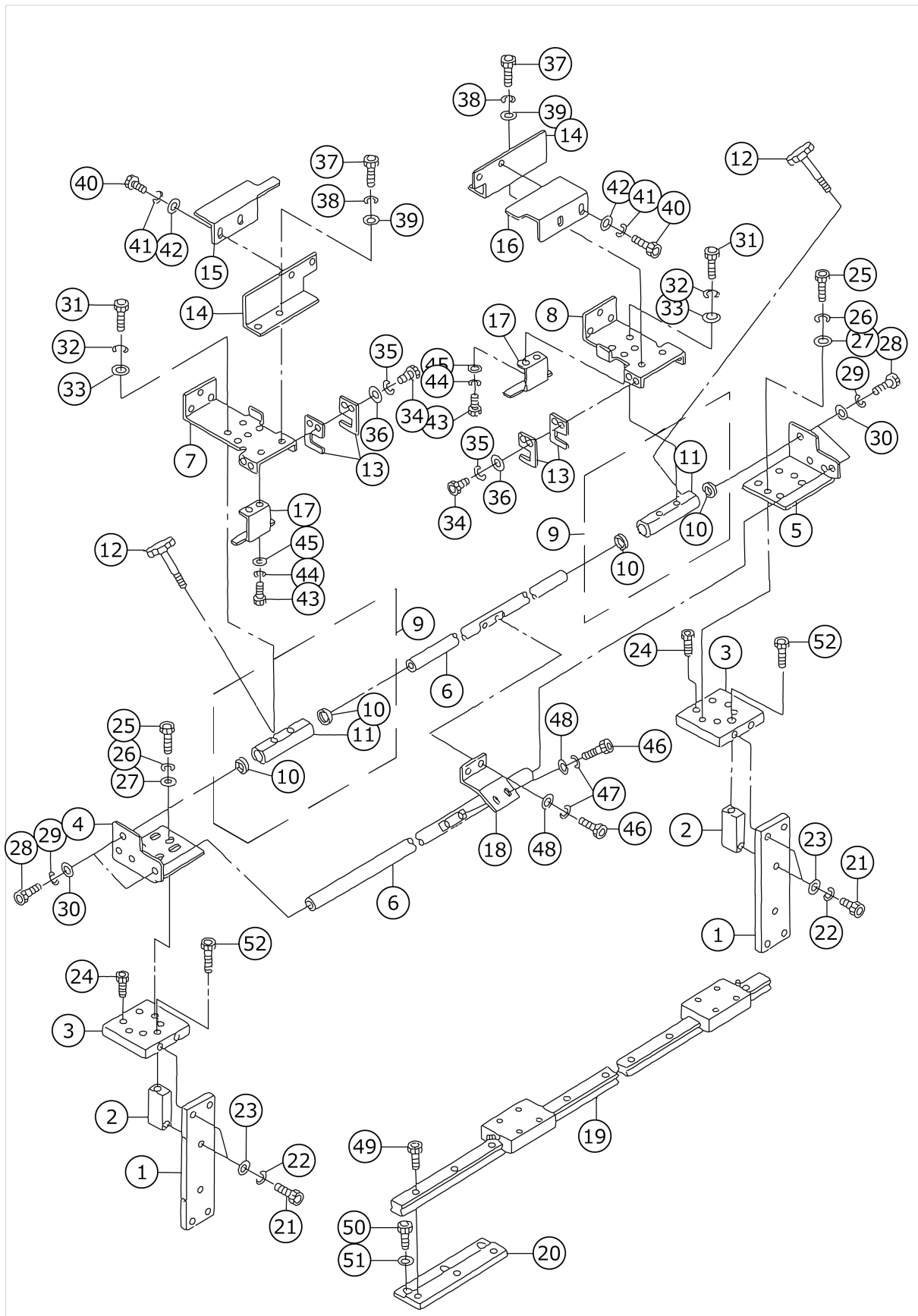


# SOLENOID VALVE & REGULATOR COMPONENTS



No.	品番	品名	備考	子部品	消耗品	個数
1	G5029164000	SOLENOID VALVE PLATE				1.00
2	SM6061202TP	SCREW M6 L=12				2.00
3	WS0610002KN	SPRING WASHER 6.1X12.2X1.5				2.00
4	WP0641601SC	WASHER				2.00
5	PJ301065103	HALF UNION 6XPT1/8				1.00
6	G64011640A0	SOLENOID VALVE ASM. (1)				1.00
7	PV1551080A0	SOLENOID VALVE		*		1.00
8	HK03464000A	TERMINAL, FEMALE		*		16.00
9	EA9500B0100	CABLE BAND		*		2.00
10	SM6033052TP	SCREW				2.00
11	WS0310002KN	SPRING WASHER M3				2.00
12	WP0320501SC	WASHER M3				2.00
13	PJ301040504	JOINTING				10.00
14	PJ020500001	PLUG				6.00
15	PJ301065103	HALF UNION 6XPT1/8				3.00
16	G64021640A0	SOLENOID VALVE ASM. (2)				1.00
17	PV1551070A0	SOLENOID VALVE		*		1.00
18	HK03464000A	TERMINAL, FEMALE		*		2.00
19	HX00055000J	RUBBER BUSHING				1.00
20	PC010514000	SPEED CONTROLLER				1.00
21	PF0552090A0	REGULATOR ASM.				1.00
22	PJ309005203	QUICK JOINT PLUG				1.00
23	PJ309005201	PLUG				1.00
24	SM6061202TP	SCREW M6 L=12				2.00
25	WS0610002KN	SPRING WASHER 6.1X12.2X1.5				2.00
26	WP0641601SC	WASHER				2.00
27	PJ050525201	TEE				2.00
28	PJ301065201	HALF UNION 6XPT1/4				1.00
29	PJ030520001	RING JOINT (NIPPLE)				2.00
30	PJ305065201	TEE UNION				1.00
31	G61071640A0	AIR PRESSURE SENSOR SW ASM.				1.00
32	PJ015251001	BUSHING				1.00
33	16111403	AIR GUN				1.00
34	16111502	SOCKET				1.00
35	G5458116000	CURLED TUBE				1.00
36	PJ303060001	STRAIGHT UNION				1.00
37	G5841270000	TUBE				5.00
38	BT0600401EB	TUBE				5.00
39	BT0400251EB	URETHANE HOSE, BLACK				3.00
40	G6801164000	DUCT, A				2.00
41	G6802164000	DUCT, B				1.00
42	SL4041081SF	SCREW M4 L=10				6.00
43	WP0450801SD	WASHER 4.5X10X0.8				6.00
44	G5046164000	TUBE				1.00

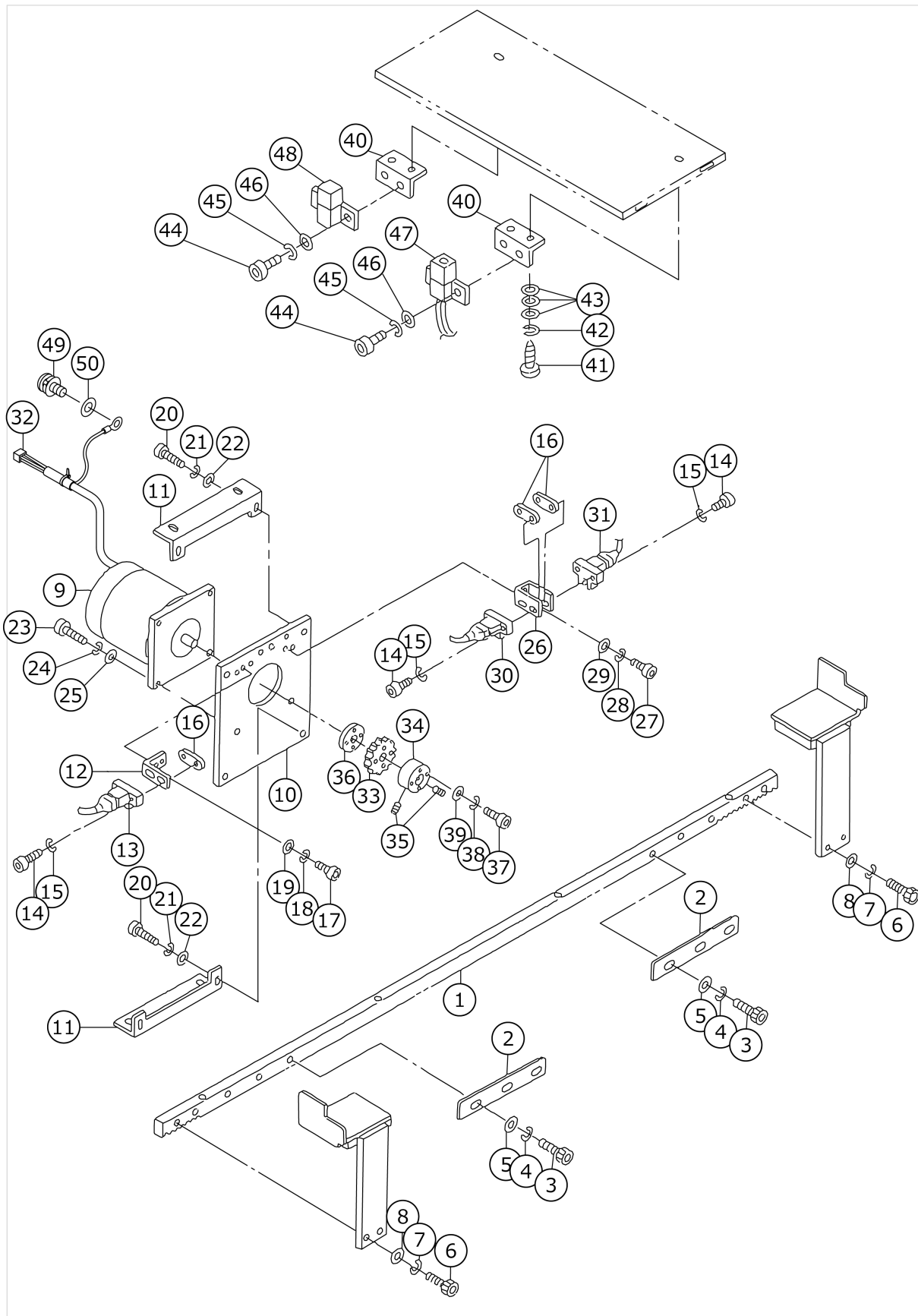
# FEED MECHANISM COMPONENTS



No.	品番	品名	備考	子部品	消耗品	個数
1	G5103164000	STAND				2.00
2	G5104164000	STAND SUPPORT				2.00
3	G5105164000	LM BASE				2.00
4	G5106164000	SLIDER SHAFT SUPPORT, LEFT				1.00
5	G5107164000	SLIDER SHAFT SUPPORT, RIGHT				1.00
6	G5108164000	SLIDER SHAFT				2.00
7	G5109164000	FEEDER MAIN FRAME				1.00
8	G5110164000	FEEDER MAIN FRAME, RIGHT				1.00
9	G51111640A0	SLIDER SHAFT BLOCK ASM.				2.00
10	G5113164000	BUSH		*		4.00
11	G5112164000	SLIDER SHAFT BLOCK		*		2.00
12	G5114164000	BUSH				2.00
13	G5115164000	FIXED PLATE				4.00
14	G5120164000	PLATE SUPPORT				2.00
15	G5121164000	CLAMP PLATE, LEFT				1.00
16	G5122164000	CLAMP PLATE, RIGHT				1.00
17	G5123164000	SENSOR PLATE				2.00
18	G5134164000	COUPLING PLATE				1.00
19	G5010164000	FEED RAIL				1.00
20	G5009164000	FEED RAIL SUPPORT PLATE				6.00
21	SM6062002TP	SCREW M6 L=20				6.00
22	WS0610002KN	SPRING WASHER 6.1X12.2X1.5				6.00
23	WP0641601SC	WASHER				6.00
24	SM6051202TP	SCREW M5X0.8 L=12				8.00
25	SM6061202TP	SCREW M6 L=12				4.00
26	WS0610002KN	SPRING WASHER 6.1X12.2X1.5				4.00
27	WP0641601SC	WASHER				4.00
28	SM6061602TP	SCREW M6 L=16				4.00
29	WS0610002KN	SPRING WASHER 6.1X12.2X1.5				4.00
30	WP0641601SC	WASHER				4.00
31	SM6061002TP	SCREW M6 L=10				4.00
32	WS0610002KN	SPRING WASHER 6.1X12.2X1.5				4.00
33	WP0641601SC	WASHER				4.00
34	SM6041002TP	SCREW M4 L=10				4.00
35	WS0410002KN	SPRING WASHER				4.00
36	WP0430801SC	WASHER 4.3X9X0.8				4.00
37	SM6040802TP	SCREW M4X0.7 L=8				4.00
38	WS0410002KN	SPRING WASHER				4.00
39	WP0430801SC	WASHER 4.3X9X0.8				4.00
40	SM6040802TP	SCREW M4X0.7 L=8				4.00
41	WS0410002KN	SPRING WASHER				4.00
42	WP0430801SC	WASHER 4.3X9X0.8				4.00
43	SM6040802TP	SCREW M4X0.7 L=8				4.00
44	WS0410002KN	SPRING WASHER				4.00
45	WP0430801SC	WASHER 4.3X9X0.8				4.00
46	SM6061202TP	SCREW M6 L=12				4.00
47	WS0610002KN	SPRING WASHER 6.1X12.2X1.5				4.00
48	WP0641601SC	WASHER				4.00
49	SM6051202TP	SCREW M5X0.8 L=12				18.00
50	SM6051202TP	SCREW M5X0.8 L=12				18.00

51	WP0621016SH	WASHER				18.00
52	SM6062002TP	SCREW M6 L=20				2.00

# FEED MECHANISM DRIVE & SWITCH COMPONENTS

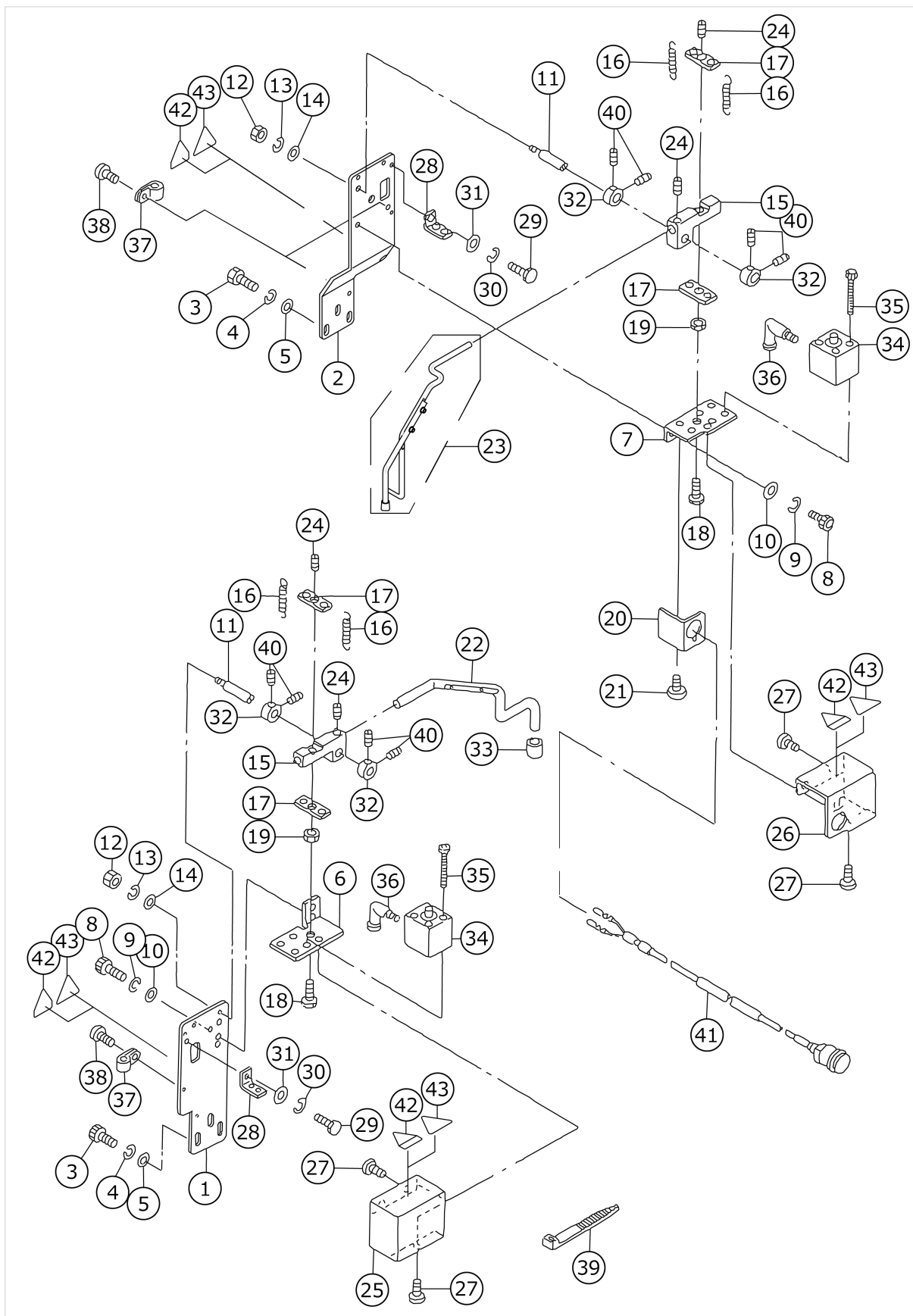


No.	品番	品名	備考	子部品	消耗品	個数
1	G5101164000	RACK				1.00
2	G5102164000	ORIGINAL POINT SENSOR PLATE				2.00
3	SM6040802TP	SCREW M4X0.7 L=8				6.00
4	WS0410002KN	SPRING WASHER				6.00
5	WP0430801SC	WASHER 4.3X9X0.8				6.00
6	SM6062002TP	SCREW M6 L=20				4.00
7	WS0610002KN	SPRING WASHER 6.1X12.2X1.5				4.00
8	WP0641601SC	WASHER				4.00
9	HM000570000	STEPPING MOTOR				1.00
10	G5012164000	PM INSTALLING PLATE				1.00
11	G5011164000	PM FIXED BASE				2.00
12	G5013164000	SENSOR INSTALLING PLATE				1.00
13	G61021640A0	SPEED TRANSMISSION SENSOR SW				1.00
14	SM6031502TP	SCREW M3 X 15				6.00
15	WS0310002KN	SPRING WASHER M3				6.00
16	G5153171000	SENSOR PLATE				3.00
17	SM6040802TP	SCREW M4X0.7 L=8				2.00
18	WS0410002KN	SPRING WASHER				2.00
19	WP0430801SC	WASHER 4.3X9X0.8				2.00
20	SM6061202TP	SCREW M6 L=12				4.00
21	WS0610002KN	SPRING WASHER 6.1X12.2X1.5				4.00
22	WP0641601SC	WASHER				4.00
23	SM6082502TN	BOLT				4.00
24	WS0820002KN	SPRING WASHER M8				4.00
25	WP0841601SC	WASHER 8.4X17.4X1.6				4.00
26	G5014164000	SENSOR INSTALLING PLATE				1.00
27	SM6040802TP	SCREW M4X0.7 L=8				2.00
28	WS0410002KN	SPRING WASHER				2.00
29	WP0430801SC	WASHER 4.3X9X0.8				2.00
30	G61011640A0	HOME POSITION SENSOR SW ASM.				1.00
31	G61031640A0	DISCRIMINATION SW ASM.				1.00
32	G65021640A0	PULCE MOTOR CORD ASM.				1.00
33	G5109171000	FEED BLOCK GEAR				1.00
34	G5110171000	BOSS				1.00
35	SM8060802TP	SCREW M6 L=8				2.00
36	G5111171000	GEAR HOLDER				1.00
37	SM6033052TP	SCREW				4.00
38	WS0310002KN	SPRING WASHER M3				4.00
39	WP0320501SC	WASHER M3				4.00
40	G5019164000	SENSOR INSTALLING PLATE				2.00
41	SK3311301SA	WOOD SCREW D=3.1 L=13				4.00
42	WS0410002KN	SPRING WASHER				4.00
43	WP0430801SC	WASHER 4.3X9X0.8				12.00
44	SM6030802TP	SCREW M3X0.5 L=8				4.00
45	WS0310002KN	SPRING WASHER M3				4.00
46	WP0320501SC	WASHER M3				4.00
47	G61101640A0	CLOTH EDGE SENSOR 1 ASM.				1.00
48	G61111640A0	CLOTH EDGE SENSOR 2 ASM.				1.00
49	SL4041081SF	SCREW M4 L=10				1.00
50	WT0430001KN	TOOTHED WASHER				1.00



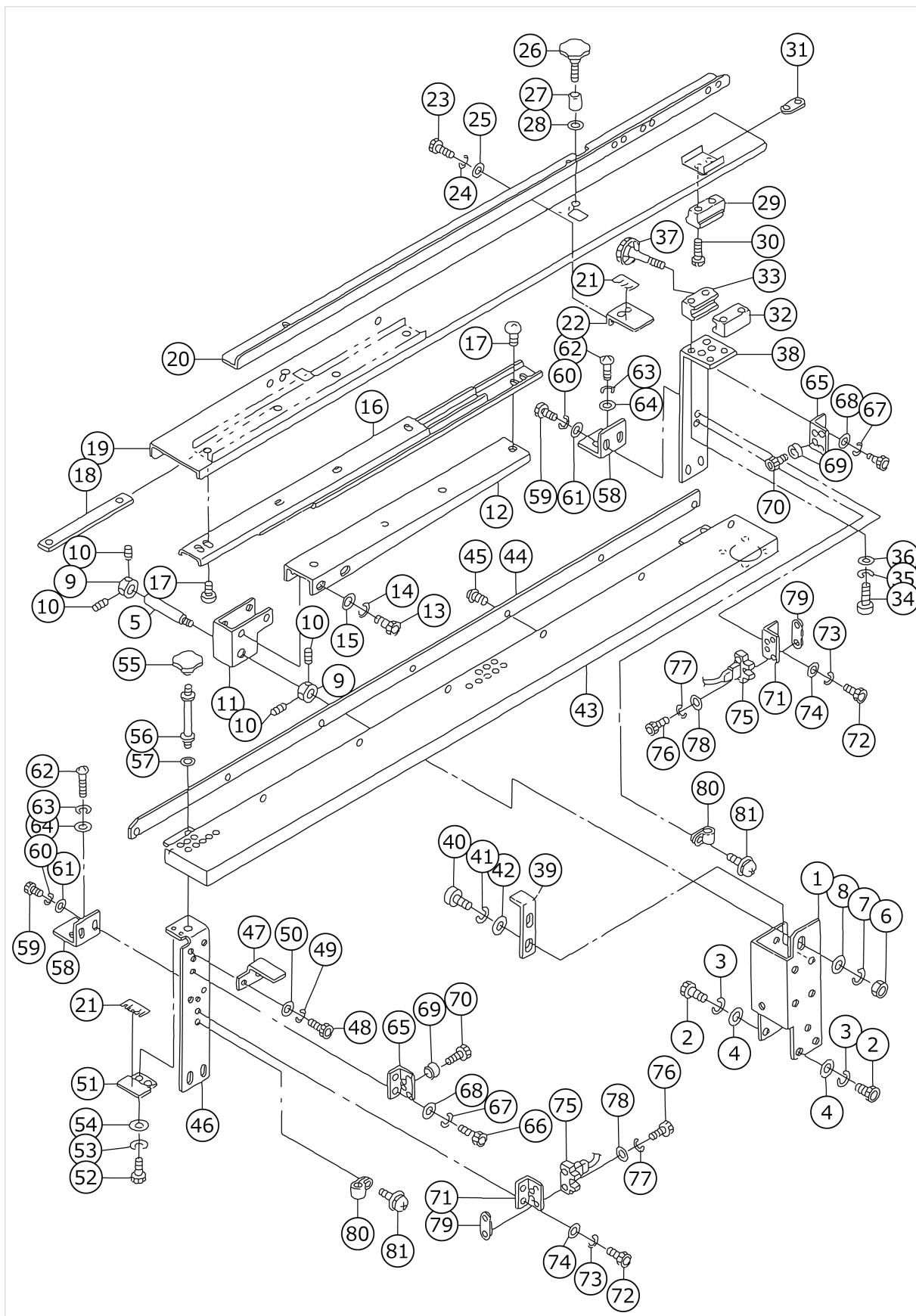


# CLAMP ARM COMPONENTS



No.	品番	品名	備考	子部品	消耗品	個数
1	G5116164000	CLAMP PLATE, LEFT				1.00
2	G5117164000B	CLAMP PLATE, RIGHT				1.00
3	SM6061202TP	SCREW M6 L=12				6.00
4	WS0610002KN	SPRING WASHER 6.1X12.2X1.5				6.00
5	WP0641601SC	WASHER				6.00
6	G5118164000	CLAMP CYLINDER PLATE, LEFT				1.00
7	G5119164000	CLAMP CYLINDER PLATE, RIGHT				1.00
8	SM6061202TP	SCREW M6 L=12				4.00
9	WS0610002KN	SPRING WASHER 6.1X12.2X1.5				4.00
10	WP0641601SC	WASHER				4.00
11	G5124164000	CLAMP SHAFT				2.00
12	NM6060001SC	NUT M6				2.00
13	WS0610002KN	SPRING WASHER 6.1X12.2X1.5				2.00
14	WP0641601SC	WASHER				2.00
15	G5125164000	CLAMP HOLDER				2.00
16	G5126164000	SPRING				4.00
17	G5127164000	SPRING HOOK				4.00
18	G5128164000	TENSION BOLT				2.00
19	NM6060001SC	NUT M6				2.00
20	G5129164000	SWITCH INSTALLING PLATE				1.00
21	G5144162000	SCREW				2.00
22	G5130164A00	CLAMP, LEFT				1.00
23	G51311640A0	CLAMP FOOT ASM., RIGHT				1.00
24	SM8040402TP	SCREW M4X0.7 L=4				4.00
25	G5132164000	CLAMP COVER, LEFT				1.00
26	G5133164000	CLAMP COVER, RIGHT				1.00
27	G5144162000	SCREW				6.00
28	B4131357000	NEEDLE GUARD ADJUSTING GUIDE				2.00
29	SM9041050SC	SCREW M4X0.7 L=10				2.00
30	WS0410002KN	SPRING WASHER				2.00
31	WP0430801SC	WASHER 4.3X9X0.8				2.00
32	G2526270000	COLLAR				4.00
33	G5138161000	RUBBER CAP				1.00
34	PA160100500	AIR CYLINDER				2.00
35	SM6033052TP	SCREW				8.00
36	PJ304040504	ELBOW UNION				2.00
37	HX00150000A	CABLE CLAMP				4.00
38	SM0040601SA	SCREW				4.00
39	EA9500B0100	CABLE BAND				6.00
40	SM8040402TP	SCREW M4X0.7 L=4				8.00
41	G61121640A0	CLOTH PRESSER CANCELLATION SW				1.00
42	CM3002000B2	LABEL(25).	FOR JAPAN			4.00
43	CM300200003	ATTENTION LABEL	FOR JE			4.00

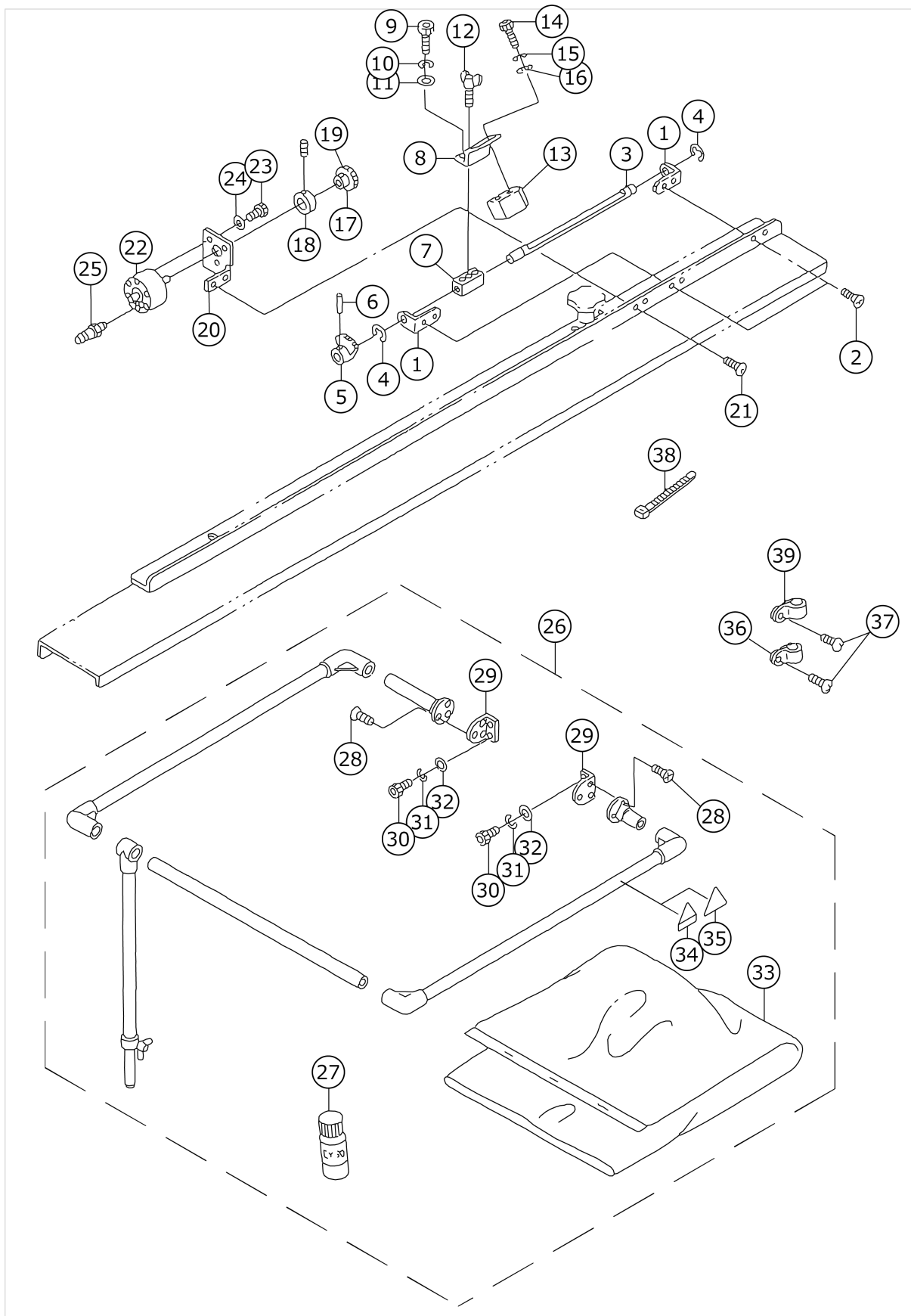
# SET PLATE COMPONENTS



No.	品番	品名	備考	子部品	消耗品	個数
1	G5301164000	LEFT INSTALLING BASE				1.00
2	SM6061202TP	SCREW M6 L=12				6.00
3	WS0610002KN	SPRING WASHER 6.1X12.2X1.5				6.00
4	WP0641601SC	WASHER				6.00
5	G5302164000	TURNING SHAFT				1.00
6	NM6080001SC	NUT M8X1.25				1.00
7	WS0820002KN	SPRING WASHER M8				1.00
8	WP0841601SC	WASHER 8.4X17.4X1.6				1.00
9	G2543270000	SHAFT STOP COLLAR A				2.00
10	SM8040402TP	SCREW M4X0.7 L=4				4.00
11	G5303164000	RAIL INSTALLING PLATE BRACKET				1.00
12	G5304164000	RAIL INSTALLING PLATE				1.00
13	SM6061202TP	SCREW M6 L=12				4.00
14	WS0610002KN	SPRING WASHER 6.1X12.2X1.5				4.00
15	WP0641601SC	WASHER				4.00
16	G5305164000	SLIDER RAIL				1.00
17	SM0040601SA	SCREW				8.00
18	G5306164000	RAIL FIXED PLATE				2.00
19	G5307164000	SET PLATE, LEFT				1.00
20	G5308164000	GUIDE, LEFT				1.00
21	G5309164000	SCALE				4.00
22	G5310164000	SCALE PLATE, LEFT				2.00
23	SM6040802TP	SCREW M4X0.7 L=8				4.00
24	WS0410002KN	SPRING WASHER				4.00
25	WP0430801SC	WASHER 4.3X9X0.8				4.00
26	G5311164000	KNOB, MALE				2.00
27	G5312164000	COLLAR				2.00
28	WP0641601SC	WASHER				2.00
29	G5315164000	BLOCK				1.00
30	SM6040802TP	SCREW M4X0.7 L=8				2.00
31	G5146171000	CLAMP FIXING PLATE				1.00
32	G5313164000	BLOCK.A				1.00
33	G5314164000	BLOCK B				1.00
34	SM6041202TP	SCREW M4X0.7 L=12				4.00
35	WS0410002KN	SPRING WASHER				4.00
36	WP0430801SC	WASHER 4.3X9X0.8				4.00
37	G5316164000	FIXED SCREW				1.00
38	G5006164000	SET PLATE SUPPORT, LEFT				1.00
39	G5332164000	STOPPER				1.00
40	SM6061202TP	SCREW M6 L=12				2.00
41	WS0610002KN	SPRING WASHER 6.1X12.2X1.5				2.00
42	WP0641601SC	WASHER				2.00
43	G5327164000	SET PLATE, RIGHT				1.00
44	G5328164000	GUIDE, RIGHT				1.00
45	SM0030601SA	SCREW M3X0.5 L=6				7.00
46	G5007164A00	SUPPORT PLATE				1.00
47	G5030164000	SUPPORT PLATE				1.00
48	SM6061202TP	SCREW M6 L=12				2.00
49	WS0610002KN	SPRING WASHER 6.1X12.2X1.5				2.00
50	WP0641601SC	WASHER				2.00

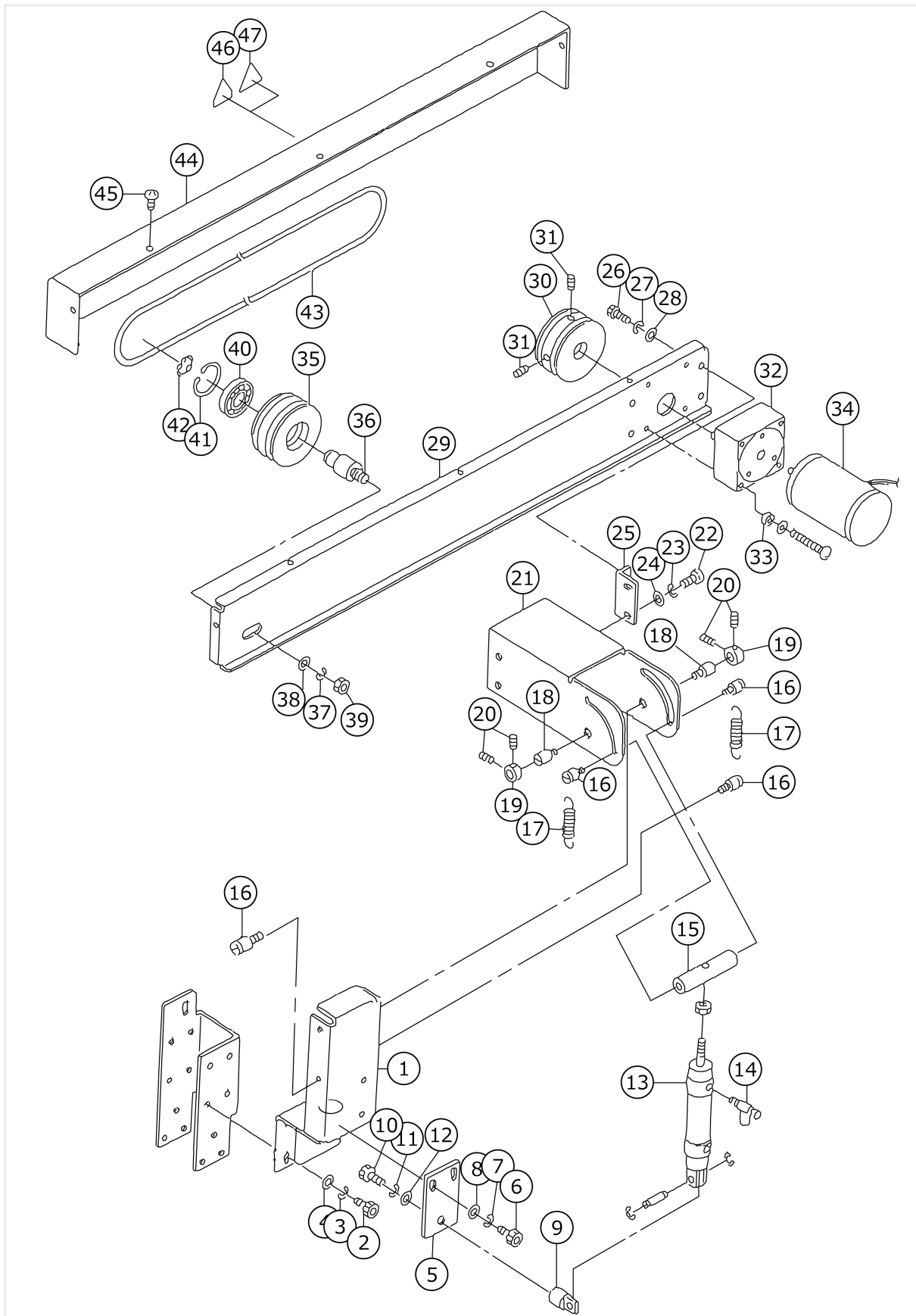
51	G5329164000	SCALE PLATE, RIGHT				2.00
52	SM6040602TP	SCREW M4 L=6				4.00
53	WS0410002KN	SPRING WASHER				4.00
54	WP0430801SC	WASHER 4.3X9X0.8				4.00
55	G5330164000	KNOB, FEMALE				2.00
56	G5331164000	HANDLE EXTENSION				2.00
57	WP0641601SC	WASHER				2.00
58	G5403164000	FIXED PLATE				3.00
59	SM6061002TP	SCREW M6 L=10				6.00
60	WS0610002KN	SPRING WASHER 6.1X12.2X1.5				6.00
61	WP0641601SC	WASHER				6.00
62	SK3381601SC	WOOD SCREW D=3.8 L=16				6.00
63	WS0410002KN	SPRING WASHER				6.00
64	WP0430801SC	WASHER 4.3X9X0.8				6.00
65	G5008164000	STOPPER				2.00
66	SM6040802TP	SCREW M4X0.7 L=8				4.00
67	WS0410002KN	SPRING WASHER				4.00
68	WP0430801SC	WASHER 4.3X9X0.8				4.00
69	G5384171000	RUBBER FOOT				2.00
70	SM6031002TP	HEXAGONAL BOLT M3 X 10				2.00
71	G5008164000	STOPPER				2.00
72	SM6040802TP	SCREW M4X0.7 L=8				4.00
73	WS0410002KN	SPRING WASHER				4.00
74	WP0430801SC	WASHER 4.3X9X0.8				4.00
75	G61051640A0	PRESSER POSITION SW ASM.				2.00
76	SM6031502TP	SCREW M3 X 15				4.00
77	WS0310002KN	SPRING WASHER M3				4.00
78	WP0320501SC	WASHER M3				4.00
79	G5153171000	SENSOR PLATE				2.00
80	HX001500000	CLIP				2.00
81	SL4041081SF	SCREW M4 L=10				2.00

# GAUGE & STACKER GUARD COMPONENTS



No.	品番	品名	備考	子部品	消耗品	個数
1	G5317164000	BRACKET				2.00
2	SM1030601SC	SCREW M3 L=6				4.00
3	G5318164000	GAUGE SHAFT				1.00
4	RE0400000K0	E-RING 4				2.00
5	G5321164000	GAUGE DRIVEN GEAR				1.00
6	PS0160122KH	SPRING PIN 1.6X12				1.00
7	G5323164000	GAUGE BLOCK				1.00
8	G5324164000	GAUGE INSTALLING PLATE				1.00
9	SM6040602TP	SCREW M4 L=6				2.00
10	WS0410002KN	SPRING WASHER				2.00
11	WP0430801SC	WASHER 4.3X9X0.8				2.00
12	G5326164000	SCREW				1.00
13	G5325164000	GAUGE (FOR MAN)				1.00
14	SM6031202TP	SCREW M3X0.5 L=12				2.00
15	WS0310002KN	SPRING WASHER M3				2.00
16	WP0320501SC	WASHER M3				2.00
17	G5319164000	GEAR				1.00
18	G5320164000	RETAINING RING				1.00
19	SM8030502TP	SCREW M3 L=5				1.00
20	G5322164000	INSTALLING PLATE				1.00
21	SM1030601SC	SCREW M3 L=6				2.00
22	PA800012000	AIR CYLINDER				1.00
23	SM6030602TP	SCREW M3X0.5 L=6				3.00
24	WP0320501SC	WASHER M3				3.00
25	PJ210304010	HALF UNION				2.00
26	G52401640A0	STACKER GUARD ASM.				1.00
27	G5242164000	PIPE ADHESIVE CEMENT		*		1.00
28	SM1030801SC	SCREW M3 L=8		*		6.00
29	G5243164000	PIPE SUPPORT		*		2.00
30	SM6050802TP	SCREW M5X0.8 L=8		*		4.00
31	WS0510002KN	SPRING WASHER		*		4.00
32	WP0531001SC	WASHER		*		4.00
33	GSS29212000	VINYL BAG		*		1.00
34	CM3002000B1	LABEL(16)	FOR JAPAN	*		1.00
35	CM300200003	ATTENTION LABEL	FOR JE	*		1.00
36	HX00150000A	CABLE CLAMP				1.00
37	SL4041081SF	SCREW M4 L=10				2.00
38	EA9500B0100	CABLE BAND				3.00
39	HX00150000F	CABLE CLIP				1.00

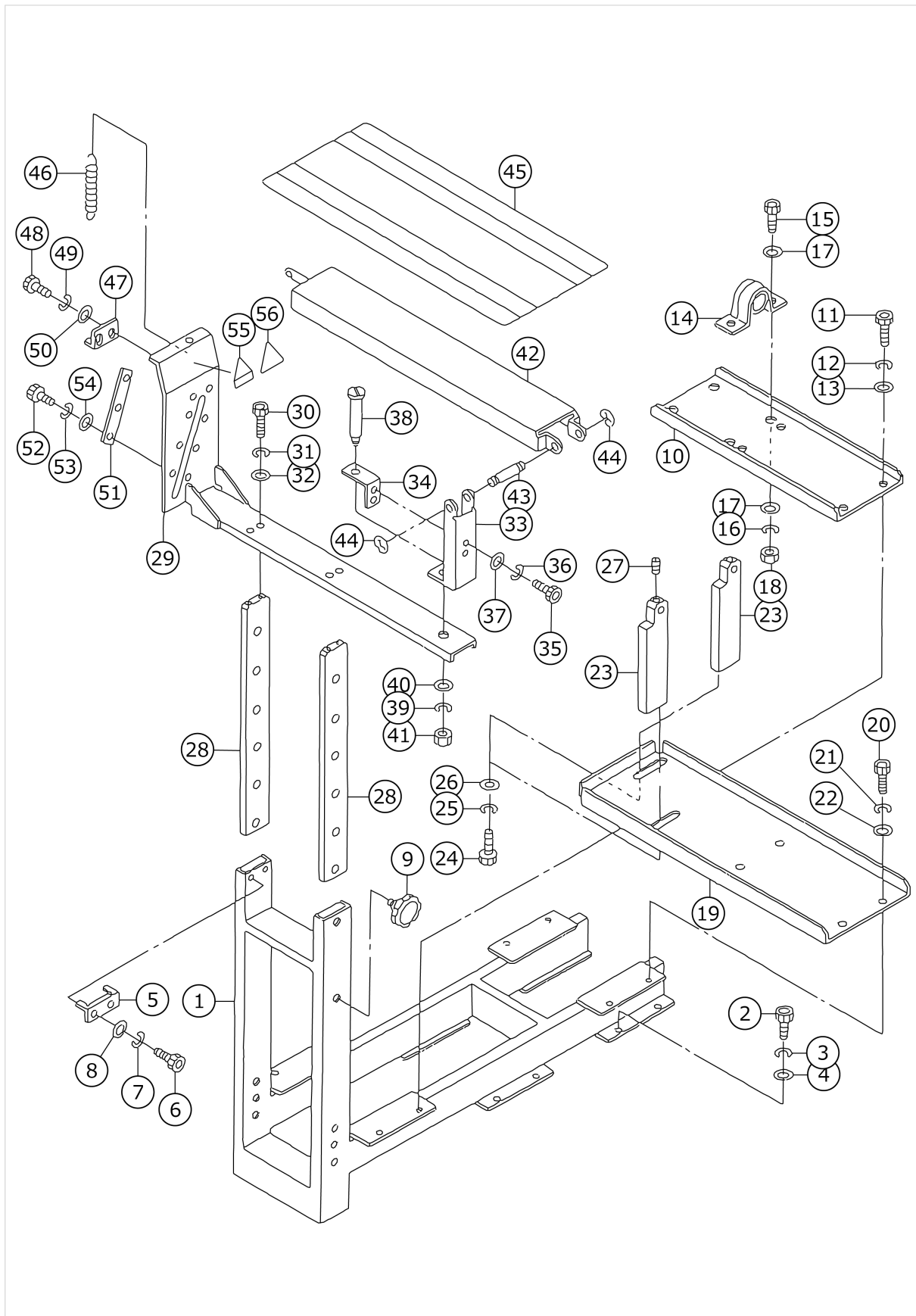
# CONVEYOR COMPONENTS





No.	品番	品名	備考	子部品	消耗品	個数
1	G5222164000	MOTOR BRACKET SUPPORT				1.00
2	SM6061202TP	SCREW M6 L=12				4.00
3	WS0610002KN	SPRING WASHER 6.1X12.2X1.5				4.00
4	WP0641601SC	WASHER				4.00
5	G5223164000	INSTALLING PLATE				1.00
6	SM6061202TP	SCREW M6 L=12				2.00
7	WS0610002KN	SPRING WASHER 6.1X12.2X1.5				2.00
8	WP0641601SC	WASHER				2.00
9	PX500017000	KNUCKLE JOINT				1.00
10	SM6082002TN	SCREW M8 L=20				1.00
11	WS0820002KN	SPRING WASHER M8				1.00
12	WP0841601SC	WASHER 8.4X17.4X1.6				1.00
13	PA2002513A0	AIR CYLINDER				1.00
14	PC015108000	SPEED CONTROLLER				1.00
15	G5224164000	SHAFT				1.00
16	B3410771000	SUSPENSION SCREW(A)				4.00
17	B2710771000	SPRING				2.00
18	G5225164000	STUD				2.00
19	G2526270000	COLLAR				2.00
20	SM8040402TP	SCREW M4X0.7 L=4				4.00
21	G5226164000	MOTOR BRACKET				1.00
22	SM6061202TP	SCREW M6 L=12				4.00
23	WS0610002KN	SPRING WASHER 6.1X12.2X1.5				4.00
24	WP0641601SC	WASHER				4.00
25	G5227164000	INSTALLING PLATE				2.00
26	SM6061202TP	SCREW M6 L=12				4.00
27	WS0610002KN	SPRING WASHER 6.1X12.2X1.5				4.00
28	WP0641601SC	WASHER				4.00
29	G5228164000	CONVEYER FRAME				1.00
30	G5229164000	DRIVE PULLEY				1.00
31	SM8040602TP	SCREW M4X0.7 L=6				2.00
32	HM000770010	GEAR HEAD				1.00
33	B1513210000	CLOTH PRESSER MAGNET SPACER				4.00
34	G62011640A0	CONVEYER MOTOR ASM.				1.00
35	G5230164000	IDLER PULLEY				1.00
36	G5231164000	IDLER PULLEY SHAFT				1.00
37	WS1020002KN	SPRING WASHER M10				1.00
38	WP1052001SC	WASHER 10,5X21X2				1.00
39	NM6100001SC	NUT M10X1.5				1.00
40	SB115000200	BEARING				1.00
41	RC3500002KP	RETAINING RING 35				1.00
42	RC0150001KP	RETAINING RING 13.8				1.00
43	G5232164000	CONVEYER BELT				2.00
44	G5233164000	CONVEYER COVER				1.00
45	SM0040601SA	SCREW				5.00
46	CM3002000B2	LABEL(25).	FOR JAPAN			1.00
47	CM300200003	ATTENTION LABEL	FOR JE			1.00

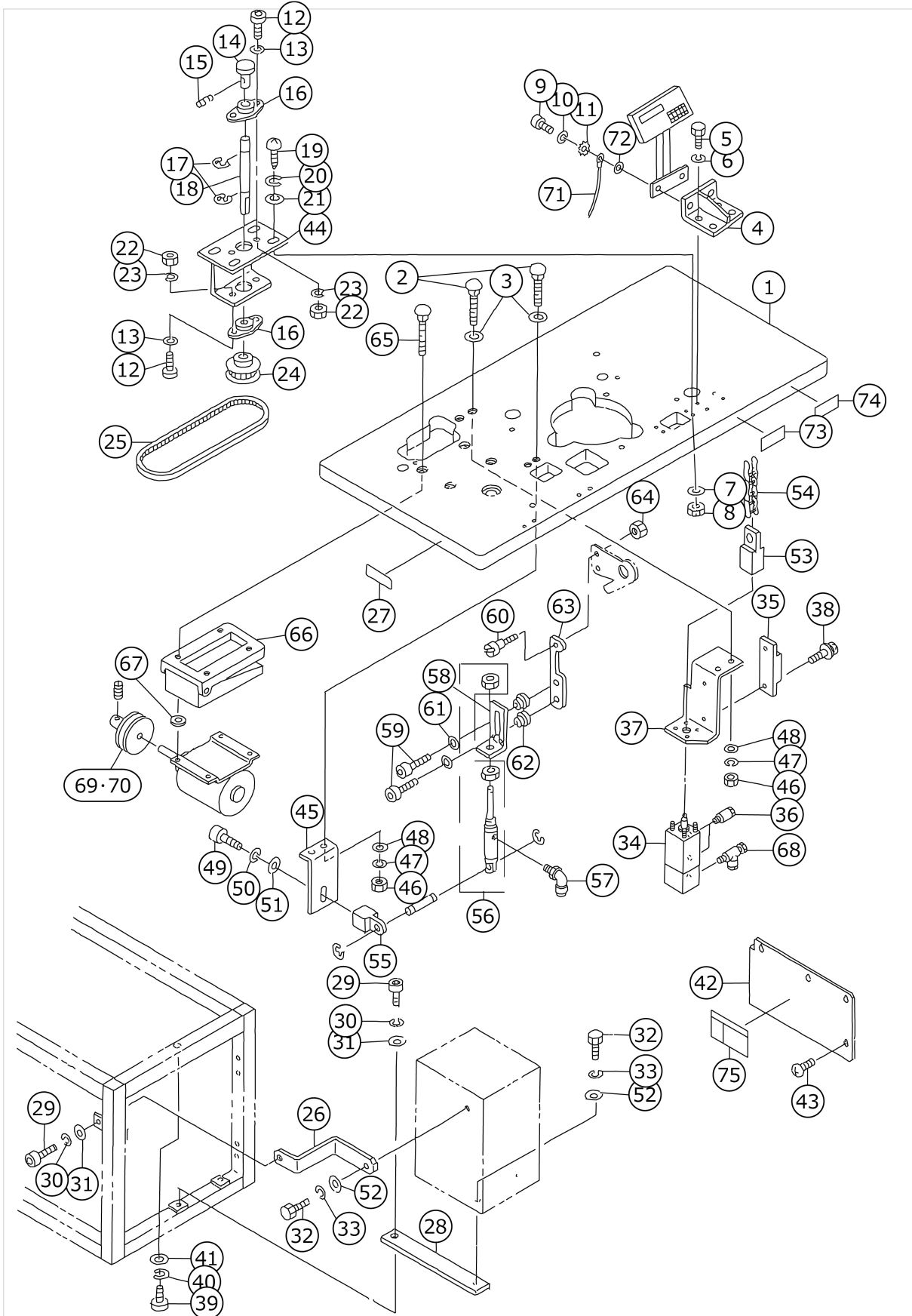
# STACKER COMPONENTS



No.	品番	品名	備考	子部品	消耗品	個数
1	G5201164000	STACKER BASE				1.00
2	SM6061202TP	SCREW M6 L=12				4.00
3	WS0610002KN	SPRING WASHER 6.1X12.2X1.5				4.00
4	WP0641601SC	WASHER				4.00
5	G5210164000	SUPPORT PLATE				2.00
6	SM6030602TP	SCREW M3X0.5 L=6				4.00
7	WS0310002KN	SPRING WASHER M3				4.00
8	WP0320501SC	WASHER M3				4.00
9	G5220164000	KNOB				2.00
10	G5202164000	PILLOW INSTALLING PLATE				1.00
11	SM6061202TP	SCREW M6 L=12				4.00
12	WS0610002KN	SPRING WASHER 6.1X12.2X1.5				4.00
13	WP0641601SC	WASHER				4.00
14	G5219164000	SWITCH INSTALLING PLATE				2.00
15	SM6082002TN	SCREW M8 L=20				4.00
16	WS0820002KN	SPRING WASHER M8				4.00
17	WP0841601SC	WASHER 8.4X17.4X1.6				8.00
18	NM6080001SC	NUT M8X1.25				4.00
19	G5203164000	CYLINDER HOLDER BASE				1.00
20	SM6061202TP	SCREW M6 L=12				4.00
21	WS0610002KN	SPRING WASHER 6.1X12.2X1.5				4.00
22	WP0641601SC	WASHER				4.00
23	G5217164000	CYLINDER MOUNT PLATE				2.00
24	SM6061602TP	SCREW M6 L=16				4.00
25	WS0610002KN	SPRING WASHER 6.1X12.2X1.5				4.00
26	WP0641601SC	WASHER				4.00
27	SM8040402TP	SCREW M4X0.7 L=4				2.00
28	G5209164000	ADJUSTING PLATE				2.00
29	G5211164000	SUPPORT				1.00
30	SM6041202TP	SCREW M4X0.7 L=12				4.00
31	WS0410002KN	SPRING WASHER				4.00
32	WP0430801SC	WASHER 4.3X9X0.8				4.00
33	G5212164000	FULCRUM PLATE				1.00
34	G5234164000	PIN SUPPORT				1.00
35	SM6040802TP	SCREW M4X0.7 L=8				2.00
36	WS0410002KN	SPRING WASHER				2.00
37	WP0430801SC	WASHER 4.3X9X0.8				2.00
38	B8170220000	BED FIXED SCREW				1.00
39	WS0820002KN	SPRING WASHER M8				1.00
40	WP0841601SC	WASHER 8.4X17.4X1.6				1.00
41	NM6080001SC	NUT M8X1.25				1.00
42	G5213164000	CLOTH STACKER				1.00
43	13518105	LIFTING LEVER SHAFT				1.00
44	RE0700000K0	E-RING 7				2.00
45	G5022164000	CUSHION				1.00
46	G5214164000	SPRING				1.00
47	G5215164000	FIXED PLATE				1.00
48	SM6030602TP	SCREW M3X0.5 L=6				2.00
49	WS0310002KN	SPRING WASHER M3				2.00
50	WP0320501SC	WASHER M3				2.00

51	G5235164000	SLIDER				2.00
52	SM6030802TP	SCREW M3X0.5 L=8				6.00
53	WS0310002KN	SPRING WASHER M3				6.00
54	WP0320501SC	WASHER M3				6.00
55	CM3002000B1	LABEL(16)	FOR JAPAN			1.00
56	CM300200003	ATTENTION LABEL	FOR JE			1.00

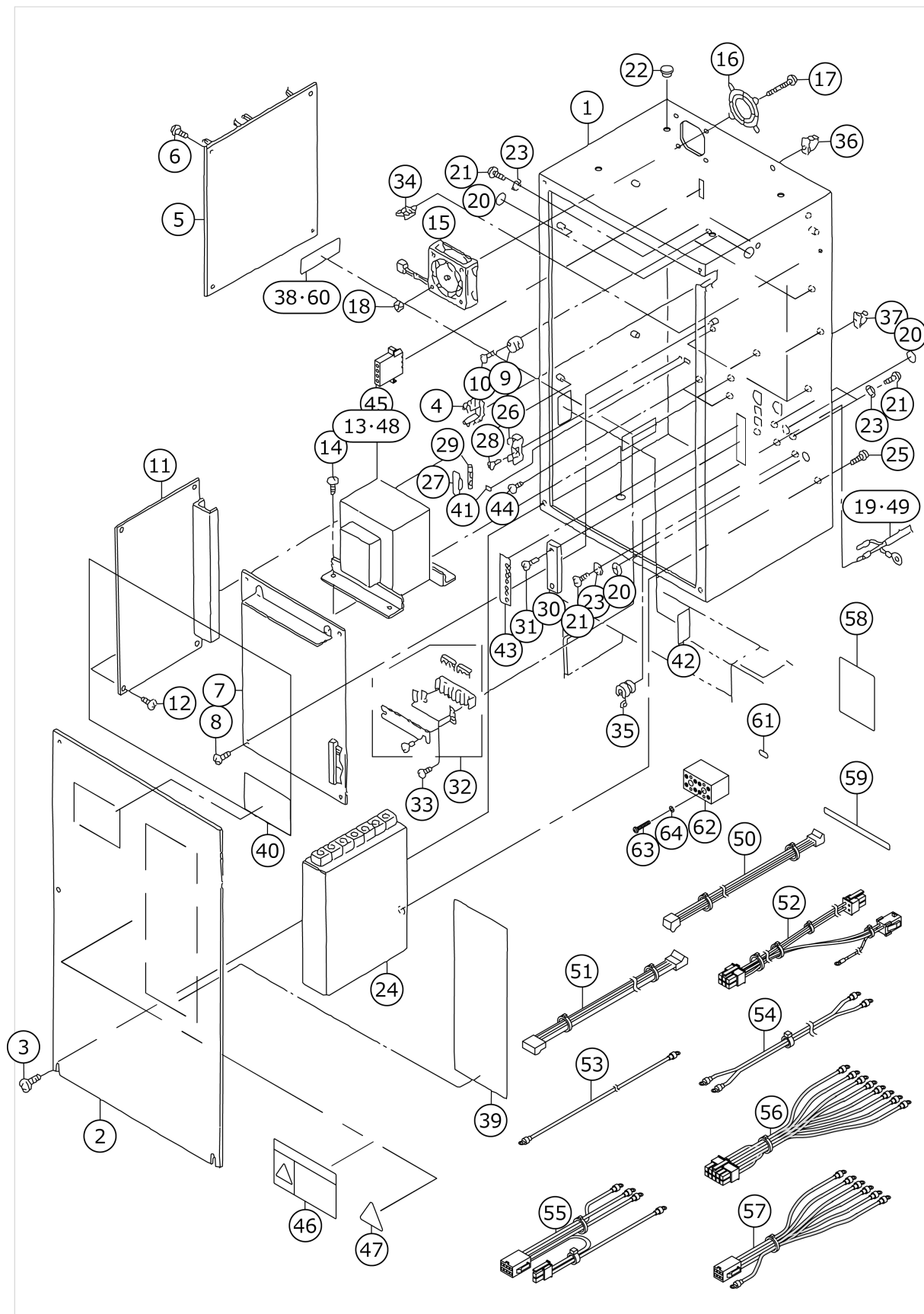
# MACHINE TABLE COMPONENTS



No.	品番	品名	備考	子部品	消耗品	個数
1	G5402164A00	SEWING MACHINE TABLE				1.00
2	MTJMS000060	BOLT				4.00
3	WP0850002SP	WASHER 8.5X18X1.6				4.00
4	G5406164000	OPERATION PANEL BRACKET				1.00
5	SM9066503SC	SCREW M6 L=65				4.00
6	WS0610002KN	SPRING WASHER 6.1X12.2X1.5				4.00
7	WP0641601SC	WASHER				4.00
8	NM6060001SC	NUT M6				4.00
9	SM6061202TN	BOLT				2.00
10	WS0610002KN	SPRING WASHER 6.1X12.2X1.5				2.00
11	WT0640001KN	TOOTH WASHER				2.00
12	SM6051202TP	SCREW M5X0.8 L=12				4.00
13	WP0531001SC	WASHER				4.00
14	16561904	MOTOR KNOB				1.00
15	SM8050602TP	SCREW M5 L=6				1.00
16	G5420164000	FLANGE				2.00
17	RE0600000K0	E-RING 6				2.00
18	G5419164000	SHAFT				1.00
19	SK3381301SC	WOOD SCREW				4.00
20	WS0410002KN	SPRING WASHER				4.00
21	WP0430801SC	WASHER 4.3X9X0.8				4.00
22	NM6050001SC	NUT M5				4.00
23	WS0510002KN	SPRING WASHER				4.00
24	G5418164000	SULLEY				1.00
25	G5421164000	ROTATION BELT				1.00
26	G5423164000	FIXED PLATE				1.00
27	G5042164A00	NAME PLATE				1.00
28	G5421162000	CONTROL BOX INSTALLING PLATE				2.00
29	SM6082002TN	SCREW M8 L=20				3.00
30	WS0820002KN	SPRING WASHER M8				3.00
31	WP0841601SC	WASHER 8.4X17.4X1.6				3.00
32	SM9082003SC	SCREW M8 L=20				3.00
33	WS0820002KN	SPRING WASHER M8				3.00
34	PA2003502A0	AIR CYLINDER				1.00
35	HK044350120	TERMINAL				1.00
36	PJ301060503	HALF UNION				2.00
37	G5407164A00	CYLINDER BRACKET				1.00
38	SL4030881SF	SCREW				2.00
39	SM6082002TN	SCREW M8 L=20				6.00
40	WS0820002KN	SPRING WASHER M8				6.00
41	WP0841601SC	WASHER 8.4X17.4X1.6				6.00
42	G5422164B00	PULLEY COVER				1.00
43	SM0040601SA	SCREW				4.00
44	G5417164000	BRACKET				1.00
45	G5410164000	CYLINDER BRACKET				1.00
46	NM6060001SC	NUT M6				4.00
47	WS0610002KN	SPRING WASHER 6.1X12.2X1.5				4.00
48	WP0641601SC	WASHER				4.00
49	SM6051202TP	SCREW M5X0.8 L=12				1.00
50	WS0510002KN	SPRING WASHER				1.00

51	WP0531001SC	WASHER				1.00
52	WP0841601SC	WASHER 8.4X17.4X1.6				3.00
53	G5414171000	THRUST KNUCKLE				1.00
54	G5416171000	THRUST CHAIN				1.00
55	PX500018000	KNUCKLE JOINT				1.00
56	PA1601510A0	AIR CYLINDER				1.00
57	PJ304040504	ELBOW UNION				1.00
58	G5412164000	WORKING PLATE				1.00
59	SM6041202TP	SCREW M4X0.7 L=12				2.00
60	16562902	HINGE SCREW				1.00
61	WP0430801SC	WASHER 4.3X9X0.8				2.00
62	G5416164000	SLIDE HOLDER				2.00
63	G5411164000	LINK				1.00
64	NM6050001SC	NUT M5				1.00
65	MTJMS00000S	SCREW SET				4.00
66	B7101761BA0	MOTOR BASE ASM.				1.00
67	MTJMGC00000	RUBBER CUSHION				4.00
68	PC010511000	SPEED CONTROLLER				1.00
69	13531207	MOTOR PULLEY 50HZ 2000 SPM	SELECTIVE PARTS			1.00
70	13531504	MOTOR PULLEY 60HZ 2000 SPM	SELECTIVE PARTS			1.00
71	G67041640A0	EARTH CORD ASM.				2.00
72	WP0641601SC	WASHER				2.00
73	CM500100001	CE MARKING LABEL	FOR JE			1.00
74	CM500000001	POWER SOURCE INDICATION LABEL	FOR JE			1.00
75	CM300600101	LABEL, (SMALL).	FOR JAPAN			1.00

# CONTROL BOX COMPONENTS

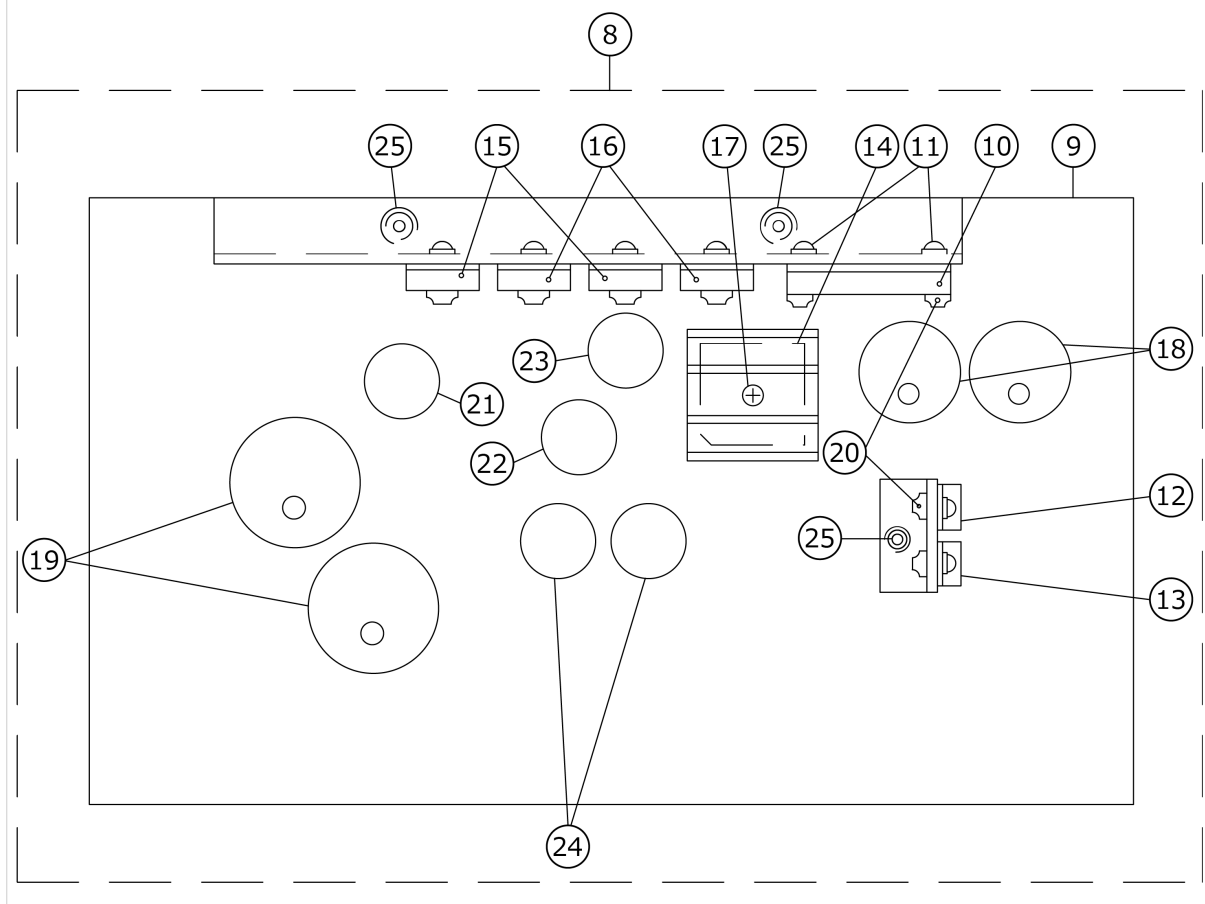
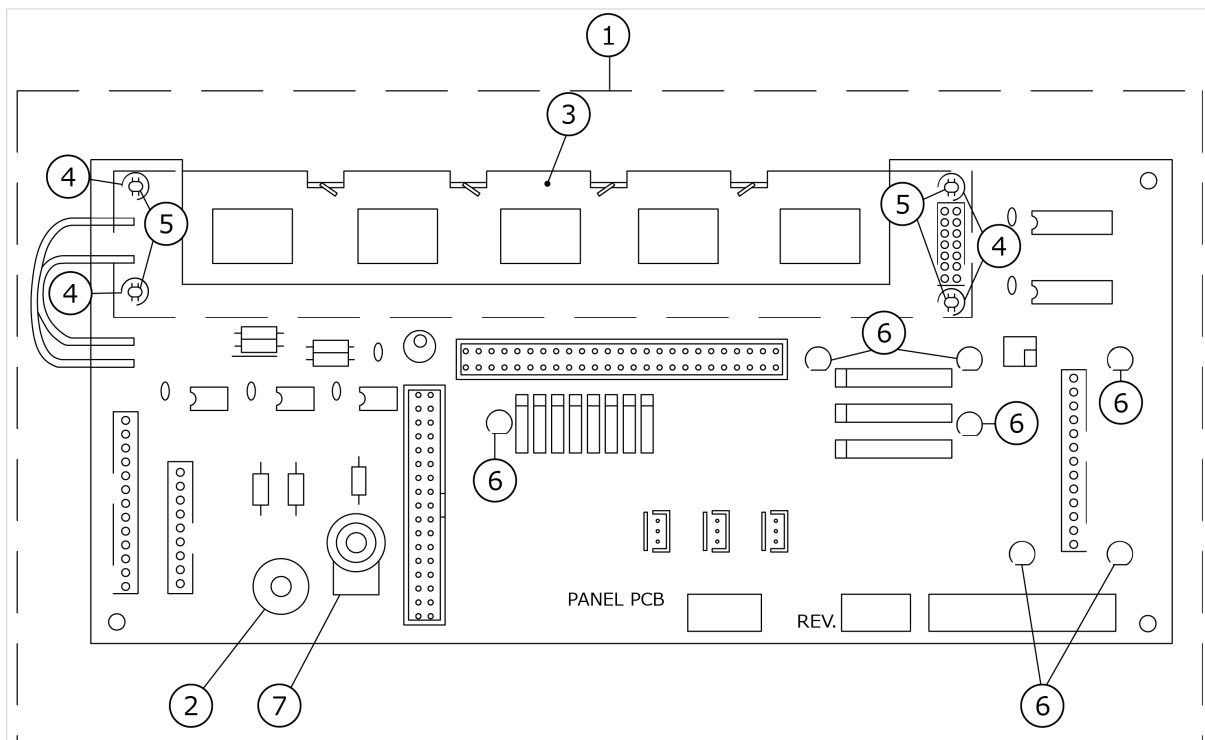




No.	品番	品名	備考	子部品	消耗品	個数
1	M1001544000A	CONTROL BOX FRAME				1.00
2	M10025440A0	FRAME CONTROLL BOX COVER ASM.				1.00
3	SM0040601SA	SCREW				6.00
4	M1004540000	FREE BUSHING, A				1.00
5	M8601543BA0	CPU BASE ASM.				1.00
6	HX00269000B	SPACER				4.00
7	M8602544AA0A	I/O BASE ASM. (B)				1.00
8	HX00269000B	SPACER				4.00
9	M1004544000A	CIRCUIT BOARD SUPPORT				2.00
10	SL4031891SC	SCREW M3 L=18				2.00
11	M8603544AA0	POWER CIRCUIT BOARD ASM.				1.00
12	HX00269000B	SPACER				4.00
13	M85105440A0	TRANSFORMER ASM.	FOR JAPAN			1.00
14	SL4051091SC	SCREW M5X0.8 L=10				4.00
15	M85115440A0	DC FAN ASM.				1.00
16	HM0003800A0	FINGER GUARD				1.00
17	SM4043601SN	SCREW M4X0.7 L=36				4.00
18	NM3040520SF	FLANGE NUT M4				4.00
19	M85215400A0	AC INPUT POWER CORD ASM.	FOR JAPAN			1.00
20	10004109	GROUND MARK				3.00
21	SL4041081SF	SCREW M4 L=10				10.00
22	TA0800504R0	PLUG D=8 L=4.5				4.00
23	WT0430001KN	TOOTHED WASHER				10.00
24	HM000570010	DRIVER				1.00
25	SL4041081SF	SCREW M4 L=10				2.00
26	HF005111000	FUSE HOLDER				1.00
27	HF00511000B	FUSE HOLDER COVER				1.00
28	SM4041001SC	SCREW M4X0.7 L=10				1.00
29	E9602701000	FUSE 4A				1.00
30	HK017150070	TERMINAL BASE 7P	FOR JAPAN			1.00
31	SL4031681SF	SCREW M3 L=16	FOR JAPAN			2.00
32	HK044450060	TERMINAL BASE				1.00
33	SL4031481SF	SCREW M3 L=14				2.00
34	HX00222000A	CABLE CLAMP				5.00
35	HX004100000	BUSH				1.00
36	HX000240000	CORD HOLDER				1.00
37	HX00024000C	CORD CLAMP				1.00
38	M1010544000	CONTROL BOX PLATE	FOR JAPAN			1.00
39	M1020544000	SEAL, A				1.00
40	M1022543000	SEAL, B				1.00
41	M1022544000	F6 SEAL				1.00
42	M1021544000	SEAL				1.00
43	M1021540000	SEAL				1.00
44	SL4040691SC	SCREW M4 L=6				2.00
45	M9620110000	RECEPTACLE				1.00
46	CM300100101	DANGER LABEL (SMALL)	FOR JAPAN			1.00
47	CM300100001	LABEL	FOR JE			1.00
48	M8510544BA0	TRANSFORMER B ASM.	FOR JE			1.00
49	M85295440A0	AC INPUT POWER CORD ASM.	FOR JE			1.00
50	M85205440A0	POWER CORD ASM.	FOR JE			1.00

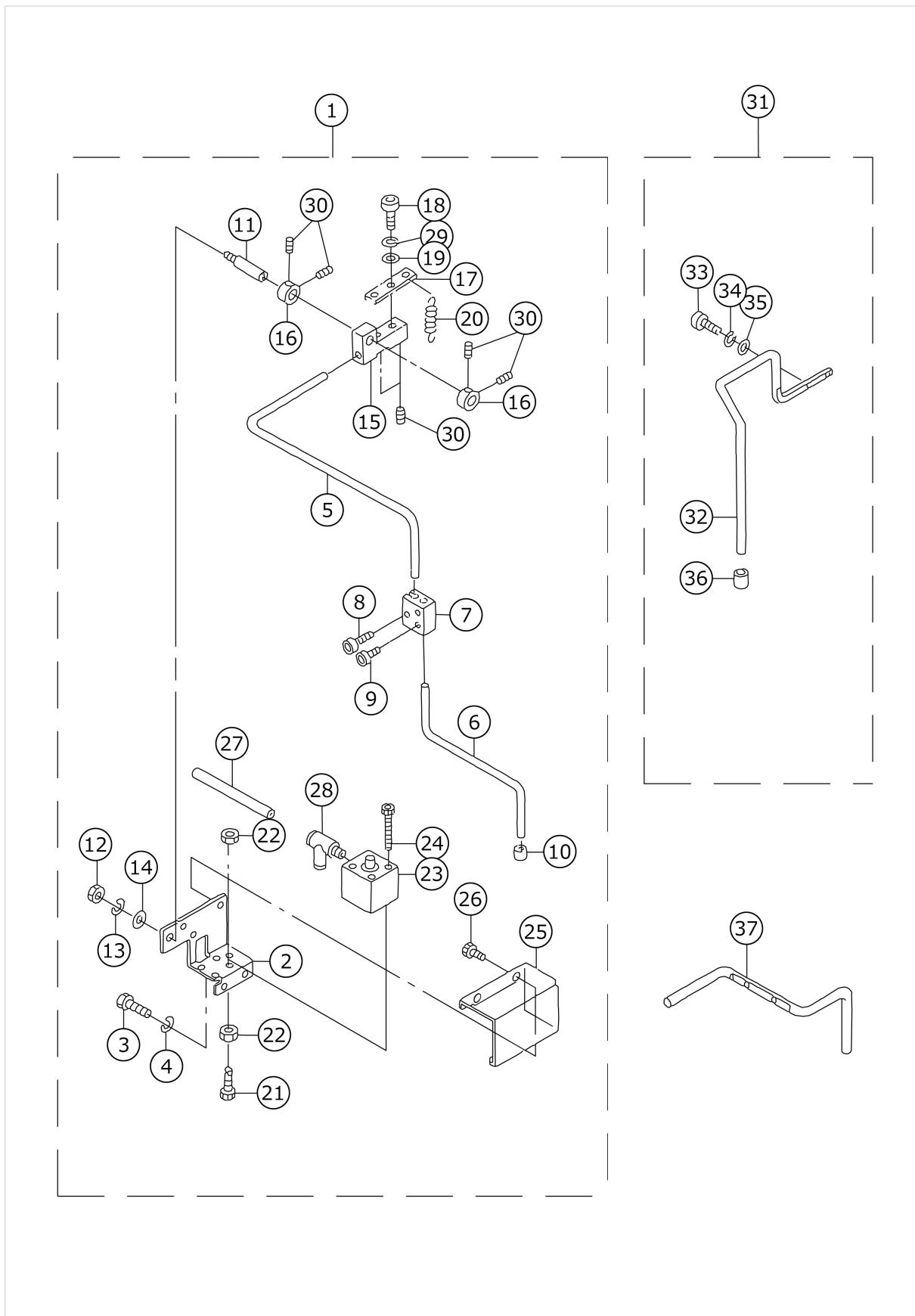
51	M85215440A0	POWER CORD ASM. (1)	FOR JE			1.00
52	M85225440A0	POWER CORD (2)	FOR JE			1.00
53	M85245440A0	RELAY CORD ASM.	FOR JE			1.00
54	M85255440A0	DRIVER POWER CORD	FOR JE			1.00
55	M85265440A0	POWER CORD ASM.	FOR JE			1.00
56	M85245400A0	DRIVER CONNCTING CORD ASM.	FOR JE			1.00
57	M85255400A0	CONNECTING CORD ASM.	FOR JE			1.00
58	G8015397000	TRANSFORMER TAP SEAL C	FOR JE			1.00
59	M3007519000	TRANSFORMER TAP SEAL	FOR JE			1.00
60	M1010544B00	CONTROL BOX PLATE B	FOR JE			1.00
61	CM200100001	PE MARK LABEL	FOR JE			1.00
62	HK054250040	TERMINAL BASE	FOR JE			2.00
63	SM4031851SR	SCREW	FOR JE			4.00
64	WS0310702KS	SPRING WASHER	FOR JE			4.00

# PANEL CIRCUIT BOARD COMPONENTS



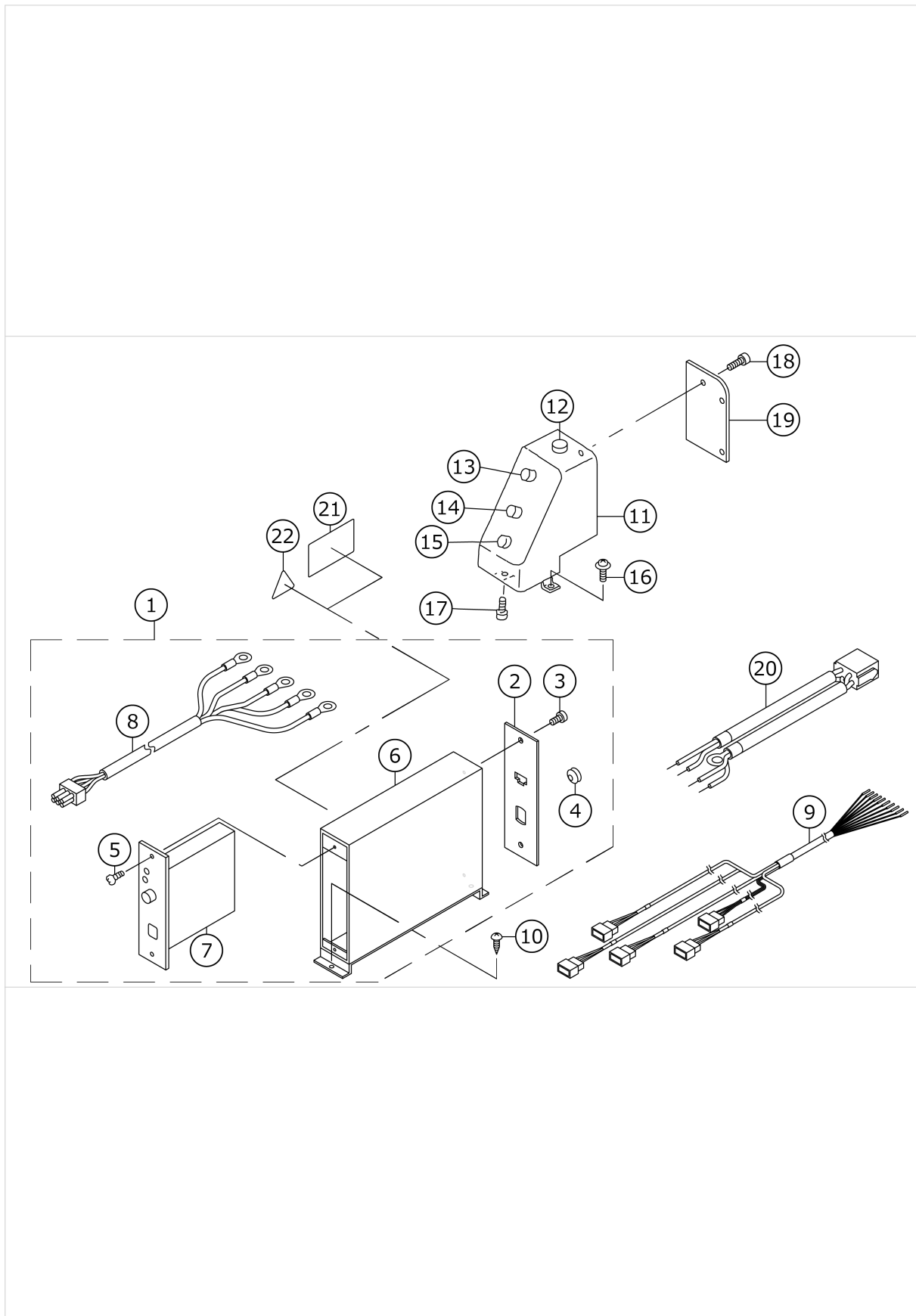
No.	品番	品名	備考	子部品	消耗品	個数
1	M8631543AA0	PANEL CIRCUIT BOARD ASM.				1.00
2	HX002400000	BUZZER		*		1.00
3	HG004350000	LIQUID CRYSTAL INDICATOR		*		1.00
4	G6312166000	LCD SPACER		*		4.00
5	HX00094000C	NYLON RIVET		*		4.00
6	HG004750000	LIGHT EMITTING DIODE		*		7.00
7	HR030301030	VOLUME (10K)		*		1.00
8	M8603544AA0	POWER CIRCUIT BOARD ASM.				1.00
9	M8603544000	POWER BOARD		*		1.00
10	HL006940000	IC (STR-9005)		*		1.00
11	SL4031481SF	SCREW M3 L=14		*		6.00
12	HL011820000	REGULATOR		*		1.00
13	HL011800000	REGULATOR		*		1.00
14	HG002650000	DIODE BRIDGE (S10VB20)		*		1.00
15	HG003780000	DIODE (FMM-32R)		*		2.00
16	HG003770000	DIODE (FMM-32S)		*		2.00
17	SL4031281SF	SCREW M3 L=12		*		1.00
18	HC027501030	CAPACITOR 10000MF 16V		*		2.00
19	HC011504720	CAPACITOR 4700MF 63V		*		2.00
20	NM3034000SF	FLANGE NUT		*		8.00
21	EA9544B0200	FUSE		*		1.00
22	E9602701000	FUSE 4A		*		1.00
23	E8523304000	FUSE 10A		*		1.00
24	E9611601000	FUSE 1A		*		2.00
25	SL4031081SF	SCREW M3 L=10		*		5.00

# ASSISTANT CLAMP , LIGHT MATERIAL CLAMP & LEAD CLAMP COMPONENTS (OPTIONAL)



No.	品番	品名	備考	子部品	消耗品	個数
1	G55011640A0	AUXILIARY CLAMP ASM.				1.00
2	G5501164000	AUXILIARY CLAMP BRACKET		*		1.00
3	SM9061003SC	SCREW M6X10		*		2.00
4	WS0610002KN	SPRING WASHER 6.1X12.2X1.5		*		2.00
5	G5502164000	AUXILIARY CLAMP, UPPER		*		1.00
6	G5503164000	AUXILIARY CLAMP, LOWER		*		1.00
7	G5504164000	ADJUSTING METAL		*		1.00
8	SM6061202TN	BOLT		*		1.00
9	SM6030402TN	BOLT M3X4		*		2.00
10	G5138161000	RUBBER CAP		*		1.00
11	G5124164000	CLAMP SHAFT		*		1.00
12	NM6060001SC	NUT M6		*		1.00
13	WS0610002KN	SPRING WASHER 6.1X12.2X1.5		*		1.00
14	WP0641601SC	WASHER		*		1.00
15	G5125164000	CLAMP HOLDER		*		1.00
16	G2526270000	COLLAR		*		2.00
17	G5505164000	SPRING HOOK		*		1.00
18	SM6040602TP	SCREW M4 L=6		*		2.00
19	WP0430801SC	WASHER 4.3X9X0.8		*		2.00
20	G5126164000	SPRING		*		1.00
21	G5506164000	SCREW		*		1.00
22	NM6060001SC	NUT M6		*		2.00
23	PA160100500	AIR CYLINDER		*		1.00
24	SM6033052TP	SCREW		*		4.00
25	G5507164000	AUXILIARY CLAMP COVER		*		1.00
26	SM0040601SA	SCREW		*		2.00
27	BT0400251EB	URETHANE HOSE, BLACK		*		1.00
28	PJ305040503	UNION		*		1.00
29	WS0410002KN	SPRING WASHER		*		2.00
30	SM8040402TP	SCREW M4X0.7 L=4		*		6.00
31	G55081640A0	LIGHT FABRIC CLAMP ASM.				1.00
32	G5508164000	LIGHT FABRIC CLAMP		*		1.00
33	SM6031002TP	HEXAGONAL BOLT M3 X 10		*		2.00
34	WS0310002KN	SPRING WASHER M3		*		2.00
35	WP0320501SC	WASHER M3		*		2.00
36	G5138161000	RUBBER CAP		*		1.00
37	G5509164000	NEEDLE CLAMP				1.00

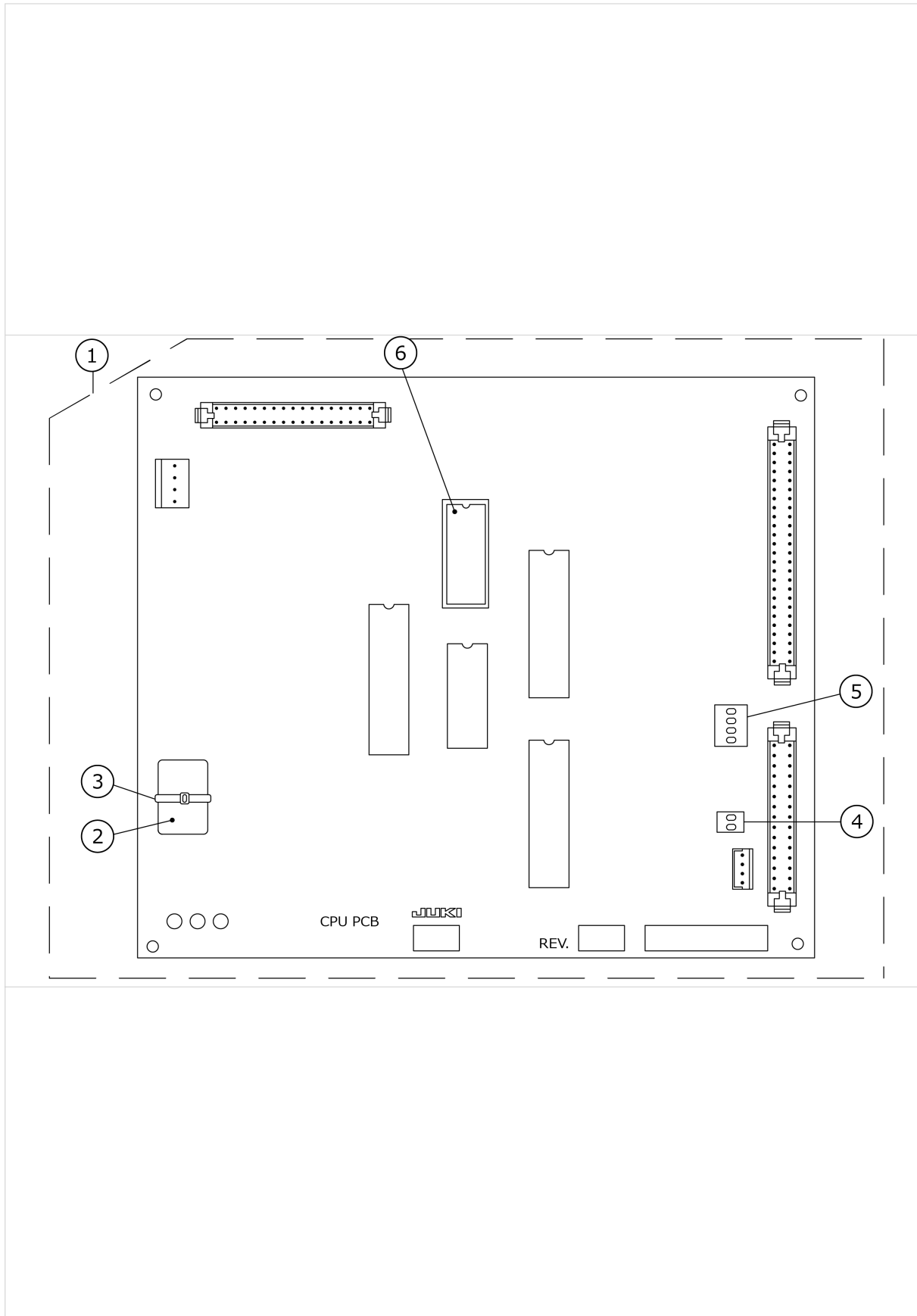
# BR-CONTROL BOX COMPONENTS



No.	品番	品名	備考	子部品	消耗品	個数
1	GBR118010A0	P/F CONTROLLER COMPL.				1.00
2	GBR10802000	P/F CONTROLLER BACK LID		*		1.00
3	SL4040691SC	SCREW M4 L=6		*		2.00
4	HX000980000	CORD BUSH		*		1.00
5	SM5040601SC	SCREW M4X0.7 L=6		*		2.00
6	GBR11801000	P/F CONTROLLER FRAME		*		1.00
7	GBR118110A0	P/F CONTROLLER ASM.		*		1.00
8	GBR108210A0	P/F POWER CORD ASM.		*		1.00
9	GBR118220A0	CONNECTING CORD ASM.				1.00
10	SK3381301SC	WOOD SCREW				2.00
11	GBR11781000	PANEL BOX				1.00
12	GBR117860A0	BREAKER ASM.				1.00
13	GBR117850A0	BUTTON SUPPLY SW ASM.				1.00
14	GBR117830A0	STEP-KEEPER SW ASM.				1.00
15	GBR117840A0	EXHAUST SW ASM.				1.00
16	SL4041091SC	SCREW M4 L=10				1.00
17	SM6040802TN	SCREW				1.00
18	SL4030681SC	SCREW M3 L=6				3.00
19	GBR10782000	PANEL BOX BACK COVER				1.00
20	GBR218460A0	CABLE ASM.				1.00
21	CM300100101	DANGER LABEL (SMALL)	FOR JAPAN			1.00
22	CM300100001	LABEL	FOR JE			1.00

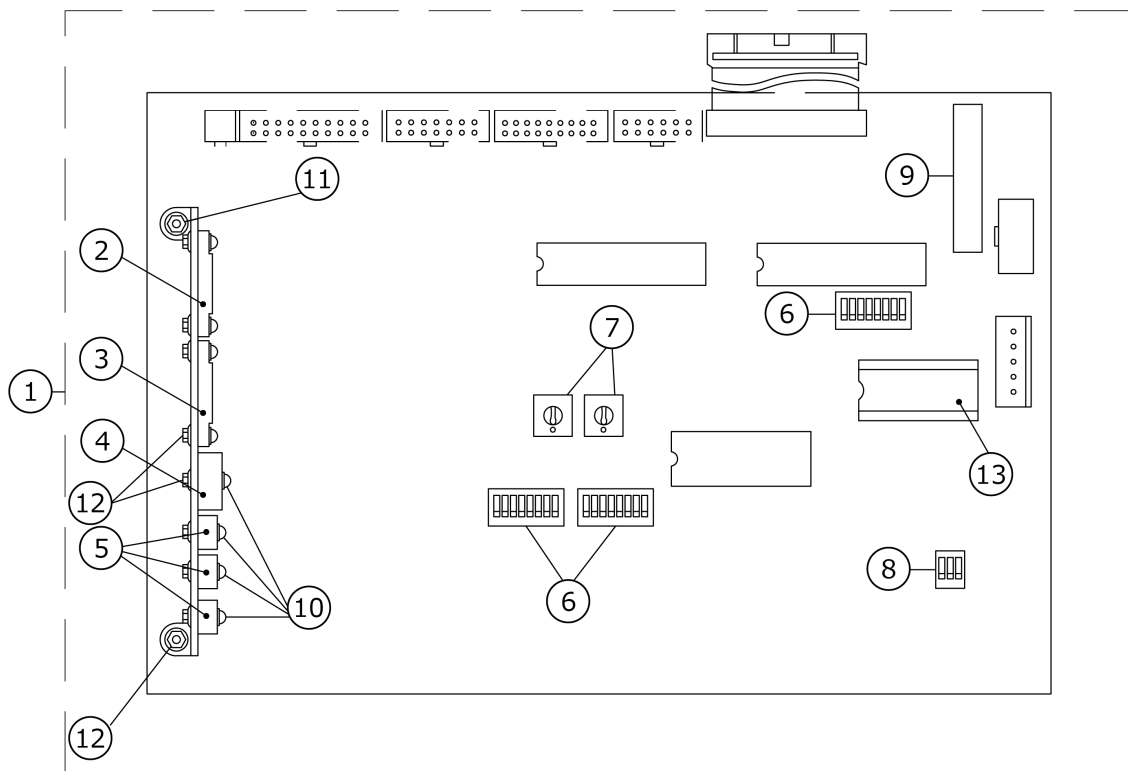


# CPU CIRCUIT BOARD COMPONENTS



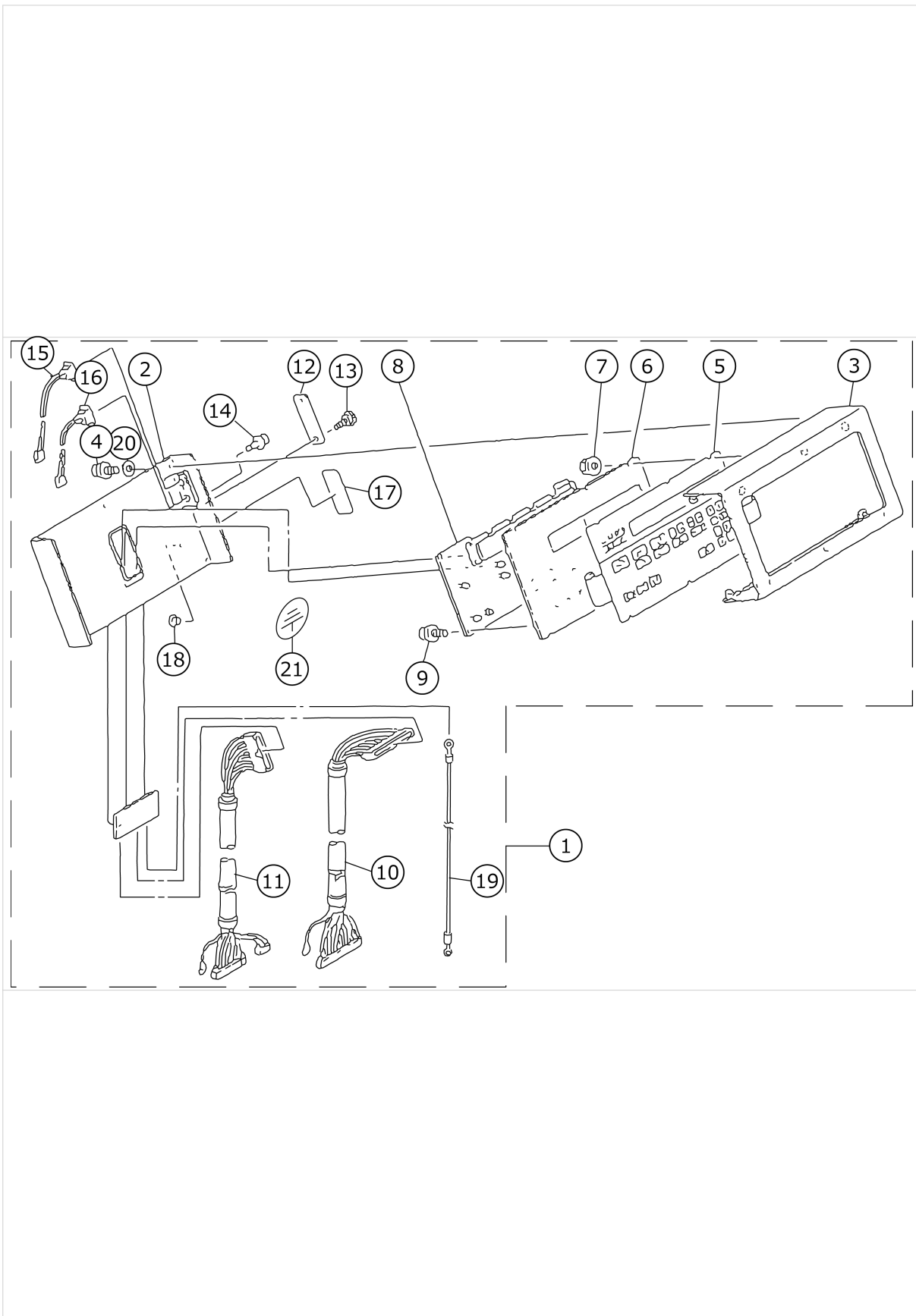
No.	品番	品名	備考	子部品	消耗品	個数
1	M8601543BA0	CPU BASE ASM.				1.00
2	HX001160000	BATTERY 3.6V		*		1.00
3	EA9500B0100	CABLE BAND		*		1.00
4	HA001080020	DIP SWITCH		*		1.00
5	HA001080040	DIP SWITCH 4		*		1.00
6	HL008420043	IC		*		1.00

# I/O CIRCUIT BOARD COMPONENTS



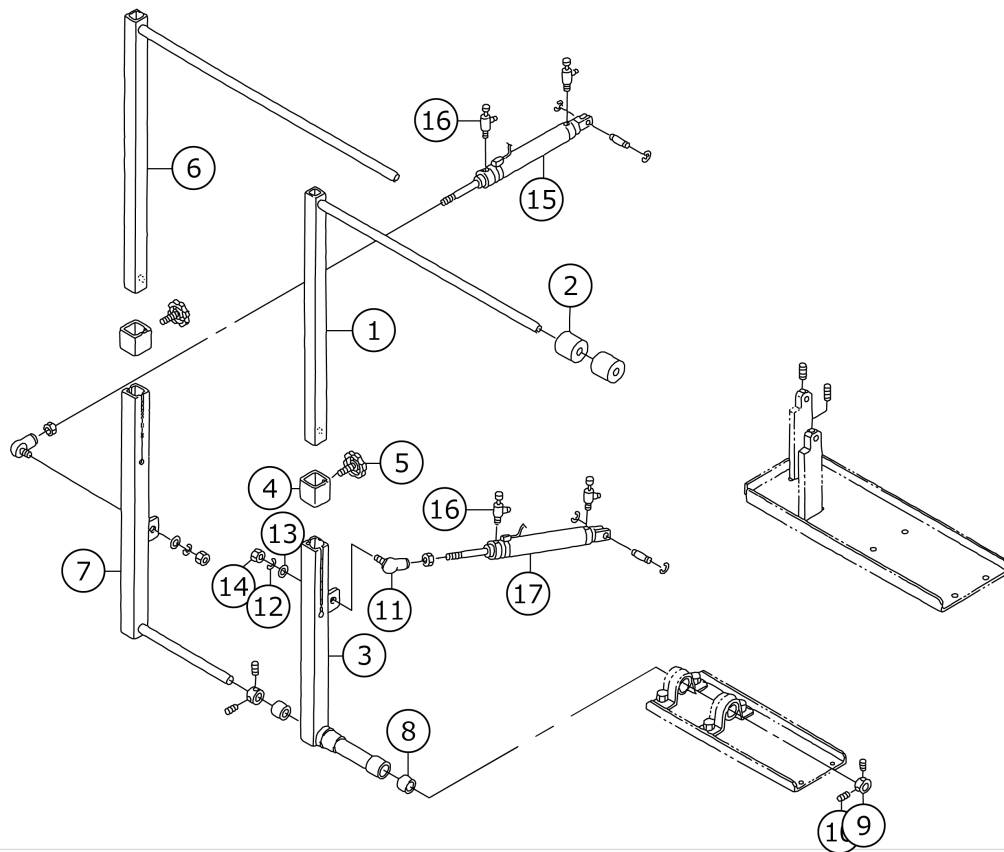
No.	品番	品名	備考	子部品	消耗品	個数
1	M8602544AA0A	I/O BASE ASM. (B)				1.00
2	HT003920000	TRANSISTOR		*		1.00
3	HT003640000	TRANSISTOR ARRAY		*		1.00
4	HT002570000	TRANSISTOR		*		1.00
5	HT003570000	TRANSISTOR		*		3.00
6	HA001080080	DIP SWITCH 8P		*		3.00
7	HA002330000	ROTARY SWITCH		*		2.00
8	HA001080030	DIP SWITCH		*		1.00
9	HA000500000	ROTARY SWITCH		*		1.00
10	SL4031291SC	SCREW M3X12		*		4.00
11	SL4031081SF	SCREW M3 L=10		*		6.00
12	NM3034000SF	FLANGE NUT		*		10.00
13	HL008420044	IC		*		1.00

# PANEL BOX COMPONENTS



No.	品番	品名	備考	子部品	消耗品	個数
1	M85305440A0	PANEL BOX ASM.				1.00
2	M1030544000	FRAME PANEL BOX		*		1.00
3	M1031544000	FRAME PANEL BOX COVER		*		1.00
4	SL4030881SF	SCREW		*		5.00
5	M8630544000	PANEL MEMBRANE SWITCH		*		1.00
6	M1032540000	REINFORCEMENT PLATE		*		1.00
7	NM3034000SF	FLANGE NUT		*		6.00
8	M8631543AA0	PANEL CIRCUIT BOARD ASM.		*		1.00
9	SL4030881SF	SCREW		*		5.00
10	M85405440A0	CONNECTING CABLE ASM. 50P		*		1.00
11	M85415440A0	CONNECTING CABLE ASM. 34P		*		1.00
12	M1033543000	COVER		*		1.00
13	G6010003000	KNOB SCREW		*		2.00
14	SL4020881SC	SCREW M2 X 8		*		4.00
15	M85425430A0	FUNCTION SELECT SW ASM. 1		*		1.00
16	M85435430A0	FUNCTION SELECT SW ASM. 2		*		1.00
17	M1040544000	FUNCTION SELECT SEAL		*		1.00
18	TA0800504R0	PLUG D=8 L=4.5		*		1.00
19	M85425440A0	EARTH CORD ASM.		*		1.00
20	WT0320001KN	WASHER		*		6.00
21	E9567319000	EARTH MARK		*		1.00

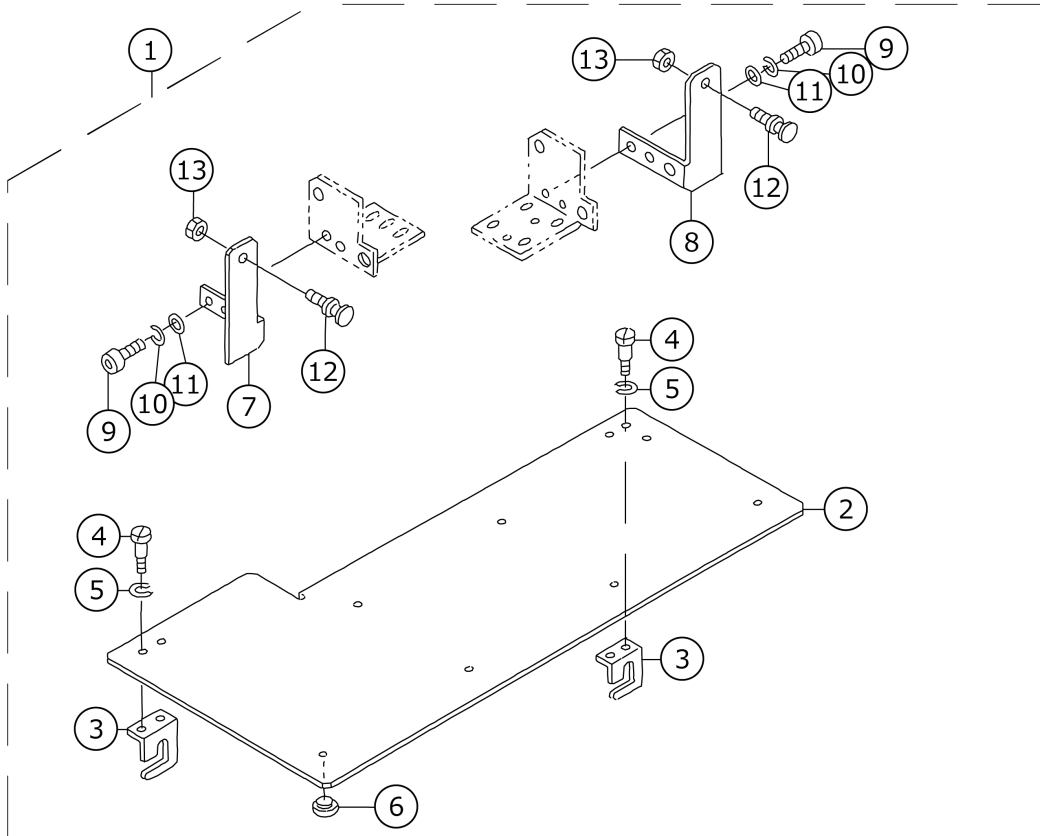
# STACKER CYLINDER COMPONENTS



No.	品番	品名	備考	子部品	消耗品	個数
1	G5204164000	CLOTH PRESSER				1.00
2	G5216164000	STACKER RING				5.00
3	G5205164000	CLOTH PRESSER				1.00
4	G5208164000	BAR LOCKER				2.00
5	G5221164000	KNOB				2.00
6	G5206164000	CLOTH PAYMENT				1.00
7	G5207164000	CLOTH PAYMENT				1.00
8	G5218164000	BEARING				2.00
9	G2543270000	SHAFT STOP COLLAR A				2.00
10	SM8040402TP	SCREW M4X0.7 L=4				4.00
11	G5204171000	LINK BOLL				2.00
12	WS0820002KN	SPRING WASHER M8				2.00
13	WP0841601SC	WASHER 8.4X17.4X1.6				2.00
14	NM6080003SC	NUT M8				2.00
15	G61081640A0	CLOTH SWEEPING CYLINDER ASM.				1.00
16	PC015108000	SPEED CONTROLLER				4.00
17	G61091640A0	CLOTH PRESSER CYLINDER ASM.				1.00

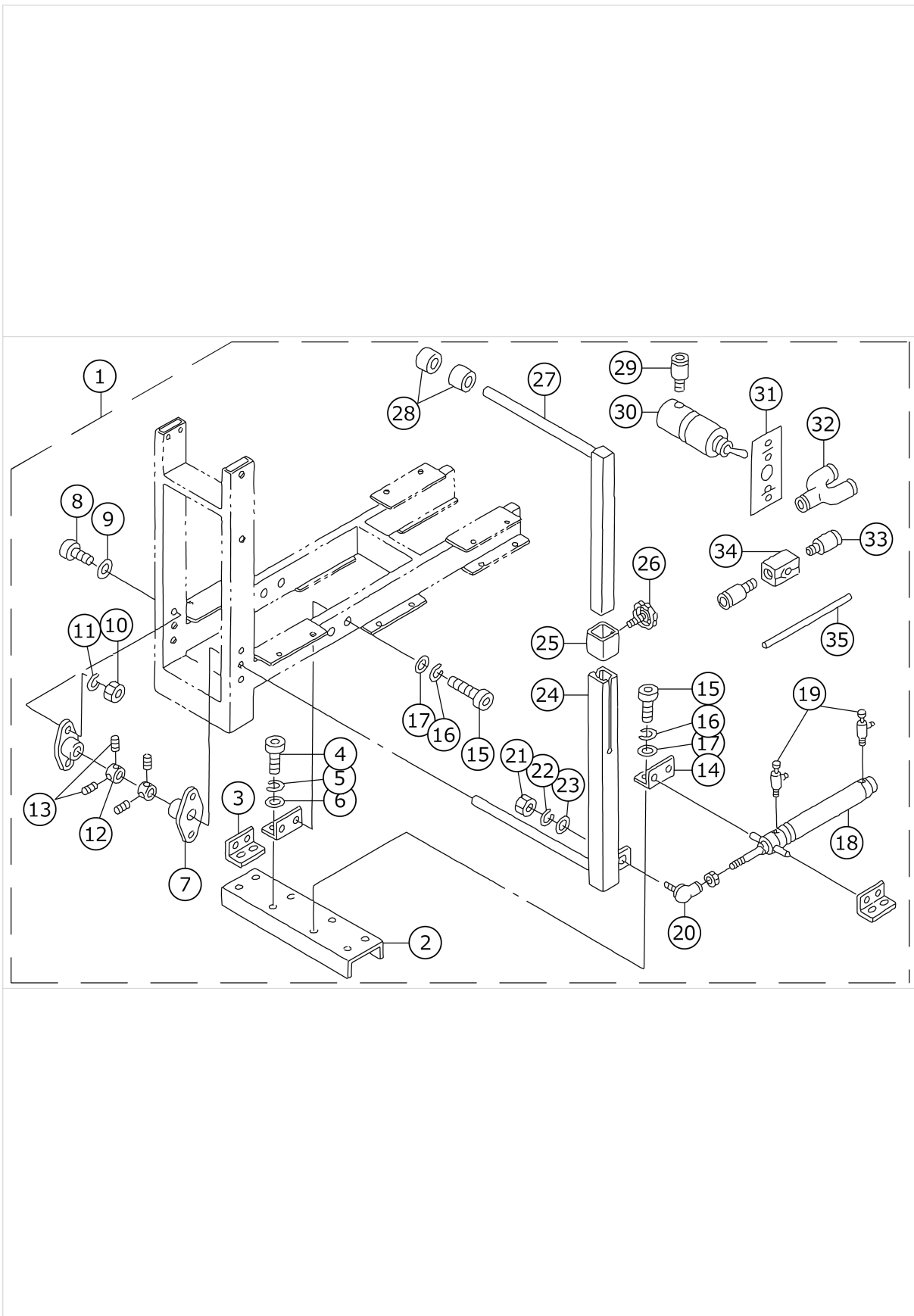


# ASSISTANT FEED PLATE COMPONENTS



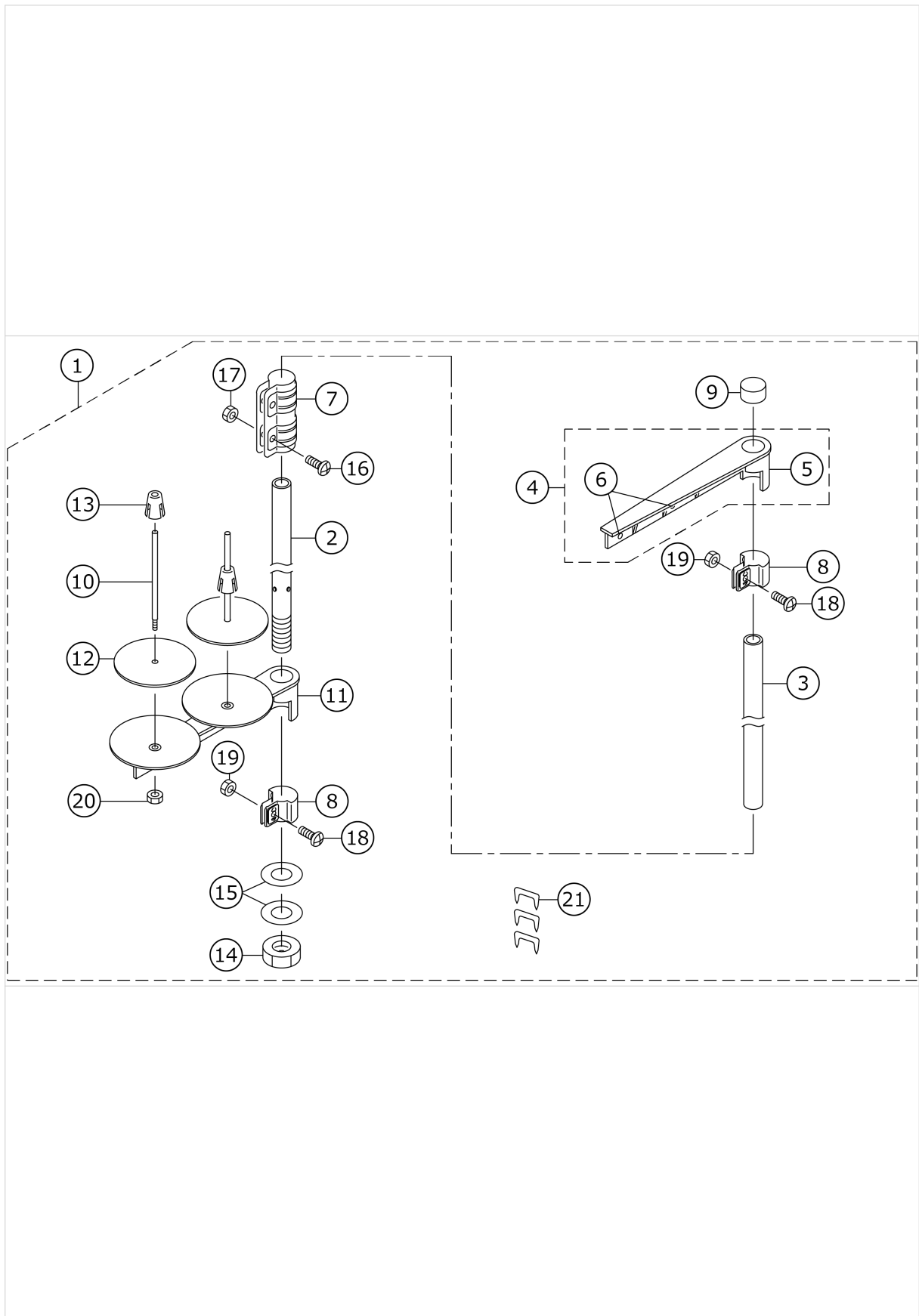
No.	品番	品名	備考	子部品	消耗品	個数
1	G55101640A0	AUXILIARY FEED BOARD ASM.				1.00
2	G5510164000	AUXILIARY FEED BOARD		*		1.00
3	G5511164000	BRACKET		*		2.00
4	SD0400191TP	HINGE SCREW D=4 H=1.8		*		4.00
5	WS0410002KN	SPRING WASHER		*		4.00
6	G5178162000	SLIDER		*		8.00
7	G5512164000	AUXILIARY FEED SUPPORT (LEFT)		*		1.00
8	G5513164000	AUXILIARY FEED SUPPORT (RIGHT)		*		1.00
9	SM6061002TP	SCREW M6 L=10		*		4.00
10	WS0610002KN	SPRING WASHER 6.1X12.2X1.5		*		4.00
11	WP0641601SC	WASHER		*		4.00
12	B1523232000	REGULATING SCREW		*		2.00
13	NS6090310SP	NUT 9/64-40		*		2.00

# NO.2 PRESSER COMPONENTS



No.	品番	品名	備考	子部品	消耗品	個数
1	G55141640A0	PRESSER ASM., NO.2				1.00
2	G5514164000	CYLINDER SUPPORT BASE		*		1.00
3	G5038171000	SIDE PLATE SUPPORT		*		2.00
4	SM6061202TP	SCREW M6 L=12		*		4.00
5	WS0610002KN	SPRING WASHER 6.1X12.2X1.5		*		4.00
6	WP0641601SC	WASHER		*		4.00
7	G5518164000	FLANGE UNIT		*		2.00
8	SM6061202TP	SCREW M6 L=12		*		4.00
9	WP0641601SC	WASHER		*		4.00
10	NM6060001SC	NUT M6		*		4.00
11	WS0610002KN	SPRING WASHER 6.1X12.2X1.5		*		4.00
12	G5215171000	THRUST COLLAR		*		2.00
13	SM8060812TP	SCREW M6 L=8		*		4.00
14	G5515164000	CYLINDER BRACKET		*		2.00
15	SM6061202TP	SCREW M6 L=12		*		8.00
16	WS0610002KN	SPRING WASHER 6.1X12.2X1.5		*		8.00
17	WP0641601SC	WASHER		*		8.00
18	PA2007503A0	AIR CYLINDER		*		1.00
19	PC015108000	SPEED CONTROLLER		*		2.00
20	G5204171000	LINK BOLL		*		1.00
21	NM6080003SC	NUT M8		*		1.00
22	WS0820002KN	SPRING WASHER M8		*		1.00
23	WP0841601SC	WASHER 8.4X17.4X1.6		*		1.00
24	G5517164000	PRESSER, LOWER		*		1.00
25	G5208164000	BAR LOCKER		*		1.00
26	G5221164000	KNOB		*		1.00
27	G5516164000	PRESSER, UPPER		*		1.00
28	G5216164000	STACKER RING		*		5.00
29	PJ301040504	JOINTING		*		3.00
30	PV010507000	VALVE		*		1.00
31	G5519164000	STACKER OPEN SWITCH LABEL		*		1.00
32	PJ308040002	QUICK COUPLING		*		1.00
33	PJ301040504	JOINTING		*		2.00
34	PV020501000	CHECK VALVE		*		1.00
35	BT0400251EB	URETHANE HOSE, BLACK		*		1.00

# THREAD STAND COMPONENTS



No.	品番	品名	備考	子部品	消耗品	個数
1	11185055	THREAD STAND ASM.				1.00
2	11185105	SPOOL REST ROD,LOWER		*		1.00
3	11185204	SPOOL REST ROD,UPPER		*		1.00
4	11185352	THREAD GUIDE ASM.		*		1.00
5	11185303	THREAD GUIDE		*		1.00
6	B3319704L00	THREAD GUIDE		*		2.00
7	B3305704000A	SPOOL REST ROD JOINT		*		1.00
8	11185402	THREAD GUIDE ARM JOINT		*		2.00
9	B3311704000	SPOOL REST ROD CAP		*		1.00
10	B3320704L00A	SPOOL PIN		*		2.00
11	11185006	SPOOL REST ARM		*		1.00
12	B3311012000	SPOOL REST CUSHION		*		2.00
13	11185501	SPOOL RETAINER		*		2.00
14	B3317704000	NUT		*		1.00
15	WP1612616SE	WASHER 16X30X2.6		*		2.00
16	SM4051405SE	SCREW M5 L=14		*		2.00
17	NM6050001SE	NUT M5		*		2.00
18	SM4051405SE	SCREW M5 L=14		*		2.00
19	NM6050001SE	NUT M5		*		2.00
20	NM6050001SE	NUT M5		*		2.00
21	MAO11532000	CORD STAPLE		*		3.00

# LIST FOR INFORMATION OF CHANGE (1)

As to the place changed, refer to the corresponding Rev.No.  
 When previous parts(Obsoleted part)and new parts(Added parts)are  
 not interchangeable with each other:  
 In this case, even obsoleted parts(D.)can be ordered with the  
 obsoleted part number, so select the parts with changed dates and  
 place your orders.

変更箇所は、該当Rev.No.版をご参照ください。

部品の互換性がない変更の場合は、削除された品番でも、ご注文できます。

29039104

No.0633-05 Rev.No.

\*A:Added parts追加部品/D:Obsoleted parts削除部品/E:Erratum訂正

* Rev. No.	Page 頁	Ref. No.	Parts No. 品番	* Rev. No.	Page 頁	Ref. No.	Parts No. 品番
D 04	1	39	D2121-555-D00	A 05	1	39	B3013-141-H0A
D 04	14	1	MAZ-16727000	A 05	14	1	MAZ-08920000-A
D 04	14	23	WP-0451026-SH	A 05	14	23	WP-0451026-SD
D 04	15	9	MAZ-16715000	A 05	15	9	MAZ-08915000-A
D 04	18	21	B2549-372-R00	A 05	18	21	B2549-372-R00-A
D 04	18	24	B2548-372-RA0	A 05	18	24	B2548-372-R00-A
D 04	18	34	MAZ-16715000	A 05	18	34	MAZ-08915000-A
				A 05	18	73	WS-0410002-KN
				A 05	18	74	SM-6051602-TP
				A 05	18	75	WS-0510002-KN
D 04	24	26	SK-3381301-SC	A 05	24	26	SM-8050602-TP
D 04	36	26	GBR-21105000	A 05	36	26	182-28007
D 04	36	33	182-12704	A 05	36	33	182-28106
D 04	36	34	182-12605	A 05	36	34	WS-0410002-KN
D 04	36	35	165-91505	A 05	36	35	HX-0033900-0B
D 04	36	36	GBR-11116000	A 05	36	36	HX-0033900-00
D 04	36	37	SM-0040801-SC				
D 04	36	38	WS-0410002-KN				
D 04	36	39	NM-6040003-SC				
				A 05	58	48	M8510-544-BA0
				A 05	58	49	M8529-544-OA0
				A 05	58	50	M8520-544-OA0
				A 05	58	51	M8521-544-OA0
				A 05	58	52	M8522-544-OA0
				A 05	58	53	M8524-544-OA0
				A 05	58	54	M8525-544-OA0
				A 05	58	55	M8526-544-OA0
				A 05	58	56	M8524-540-OA0
				A 05	58	57	M8525-540-OA0
				A 05	58	58	G8015-397-000
				A 05	58	59	M3007-519-000





# HOW TO MAKE USE OF THIS PARTS LIST

## 1.Explanation of codes

1)"\*"mark.....means this part is changed from the previous parts book.

As to the details of the change, refer to the "List for information of change".

2)"#01".....refer to "Note" explanation at bottom of page.

## 2.Codes on the "Qty" column

· Each numeral indicates the number of parts required.

· "0.1" and "2.5" indicate the length (in meters) of the respective parts.

3.Parentheses mean that the corresponding part is a subpart that constructs an assembly part.

4.Dotted lines on the Figures indicate assembly parts.

## 1."注記"欄の記号説明

1) "\*"印.....前回のパーツブックに比較して今回変更された部品を意味します。

変更内容は、"変更情報リスト"を参照してください。

2) "#01".....ページ下の"注記"の説明を参照してください。

2.数量欄の数字は、個数を表し、0.1、2.5等の数値は、長さ（単位メートル）を表します。

3.数量欄の（ ）は、組部品を構成している子部品であることを意味します。

4.イラストページの-----枠は、組構成であることを意味します。

Other parts list related to this model.

この機種に関するパーツリストとして下記のパーツリストがあります。

1.LK-1850 SERIER(No.0540)

High speed 1-needle cylinder bed lockstitch bar tacking industrial sewing machine.

高速一本針本縫筒型門止めミシン